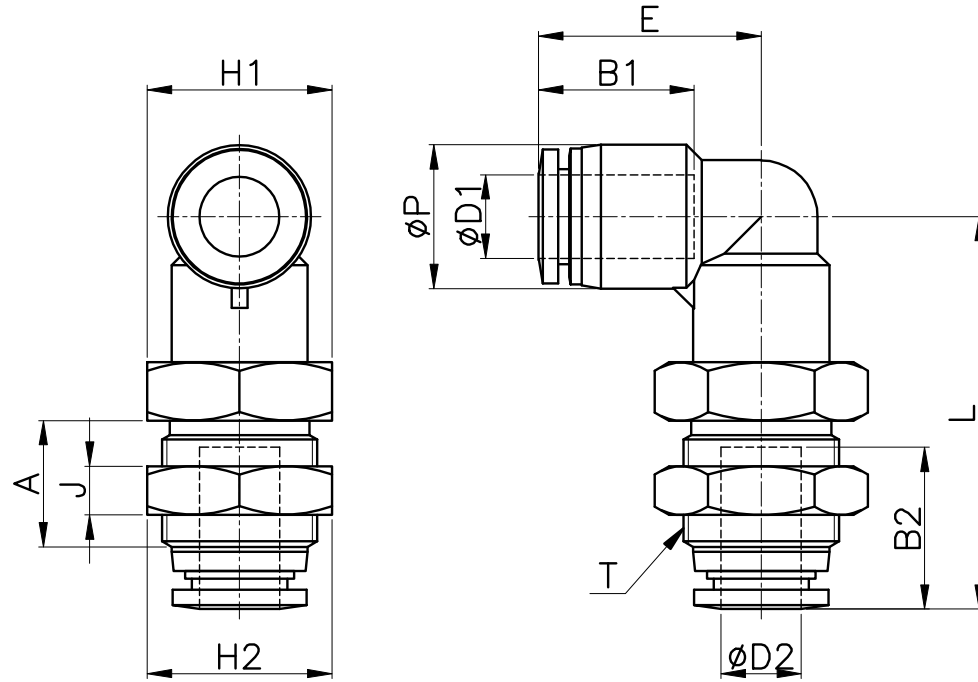


PLM



MODEL	$\phi D1$	$\phi D2$	ϕP	T	L	E	A	B1	B2	J	H1 (Hex)	H2 (Hex)	ORIFICE	WEIGHT (g)	BOX(EA)
PLM 04	4	4	10.5	M12*1.0p	32.5	18.5	10.5	14.8	14.8	4.0	14	14	3.0	19.0	100
PLM 06	6	6	12.5	M14*1.0p	38.2	20.3	12.5	16.4	16.4	4.0	17	17	4.0	31.0	50
PLM 08	8	8	14.8	M16*1.0p	40.4	22.9	13.0	18.3	18.4	5.0	19	19	6.0	39.0	50
PLM 10	10	10	17.5	M20*1.0p	41.9	24.6	13.5	20.2	19.7	5.0	24	24	7.0	57.0	25
PLM 12	12	12	20.5	M22*1.0p	48.1	28.7	16.5	22.9	21.9	5.0	26	26	10.0	79.0	25