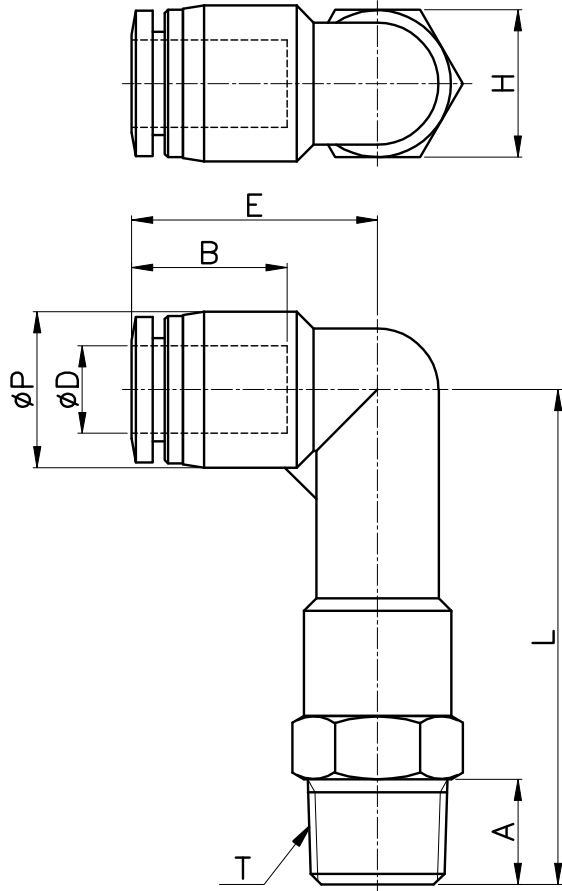


PLL P



MODEL	ϕD	ϕP	T	L	E	A	B	H (Hex)	ORIFICE	WEIGHT (g)	BOX(EA)
PLL P 04-M5	4	10.5	M5*0.8p	32.5	18.5	4.0	14.8	10	3.0	5.6	50
PLL P 04-M6			M6*1.0p	32.6		4.1		10		8.0	50
PLL P 04-01			R 1/8	36.5		8.0		10		9.9	50
PLL P 04-02			R 1/4	38.5		10.0		14		14.9	50
PLL P 04-03			R 3/8	39.5		11.0		17		23.7	50
PLL P 06-M5	6	12.5	M5*0.8p	36.5	20.3	4.0	16.4	12	4.0	7.1	50
PLL P 06-M6			M6*1.0p	36.6		4.1		12		11.8	50
PLL P 06-01			R 1/8	40.5		8.0		12		13.8	50
PLL P 06-02			R 1/4	43.5		10.0		14		18.9	50
PLL P 06-03			R 3/8	44.5		11.0		17		26.1	50
PLL P 06-04	R 1/2	47.5	14.0	21	40.3	25					
PLL P 08-01	8	14.8	R 1/8	44.0	22.9	8.0	18.3	14	6.0	18.0	50
PLL P 08-02			R 1/4	47.0		10.0		14		20.9	50
PLL P 08-03			R 3/8	48.0		11.0		17		27.7	25
PLL P 08-04			R 1/2	51.0		14.0		21		42.7	25
PLL P 10-01	10	17.5	R 1/8	47.5	24.6	8.0	20.2	17	8.0	27.7	25
PLL P 10-02			R 1/4	50.5		10.0		17		29.6	25
PLL P 10-03			R 3/8	51.5		11.0		17		31.7	25
PLL P 10-04			R 1/2	54.5		14.0		22		50.5	25
PLL P 12-01	12	20.5	R 1/8	54.4	28.7	8.0	22.9	19	6.0	42.1	25
PLL P 12-02			R 1/4	56.4		10.0		19		38.3	25
PLL P 12-03			R 3/8	57.4		11.0		19	42.0	25	
PLL P 12-04			R 1/2	60.4		14.0		21	51.4	25	