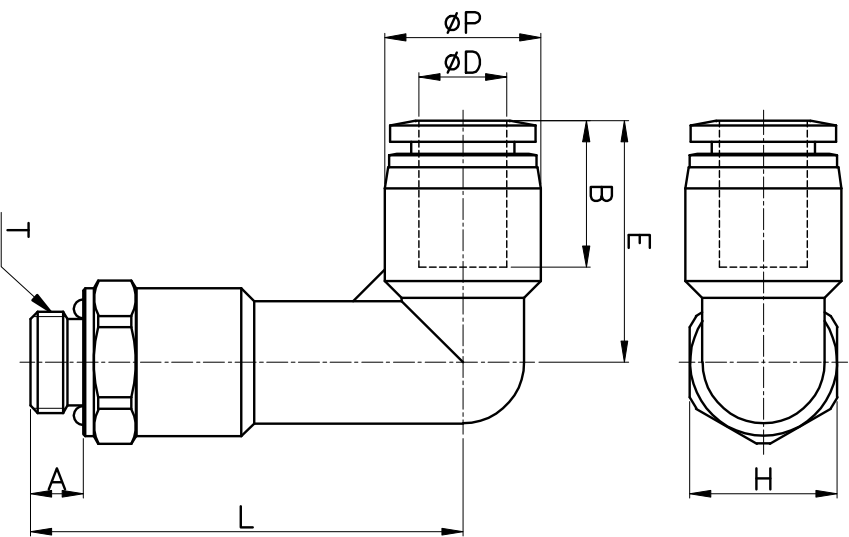


PLL-P-G



MODEL	ØD	ØP	T	L	E	A	B	H (Hex)	ORIFICE	WEIGHT (g)	BOX(EA)
PLL-P 04-G01	4	10.5	G 1/8	35.5	18.5	5.0	14.8	14	3.0	12.9	50
PLL-P 04-G02			G 1/4	35.5		6.5		17		16.9	
PLL-P 04-G03	6	12.5	G 3/8	35.0	20.3	6.5	16.4	20	4.0	19.7	50
PLL-P 06-G01			G 1/8	37.5		5.0		14		15.8	
PLL-P 06-G02			G 1/4	39.5		6.5		17		17.9	
PLL-P 06-G03	8	14.8	G 3/8	39.0	22.9	6.5	18.3	20	6.0	24.1	50
PLL-P 08-G01			G 1/8	41.0		5.0		14		16.0	
PLL-P 08-G02			G 1/4	43.0		6.5		17		19.9	
PLL-P 08-G03			G 3/8	42.5		6.5		20		25.7	
PLL-P 08-G04	10	17.5	G 1/2	44.0	24.6	8.0	20.2	24	8.0	36.7	25
PLL-P 10-G01			G 1/8	44.5		5.0		17		24.7	
PLL-P 10-G02			G 1/4	46.5		6.5		17		25.6	
PLL-P 10-G03			G 3/8	46.0		6.5		20		29.7	
PLL-P 10-G04			G 1/2	47.5		8.0		24		44.5	
PLL-P 12-G02	12	20.5	G 1/4	52.4	28.7	6.5	22.9	19	8.0	34.3	25
PLL-P 12-G03			G 3/8	51.9		6.5		20		37.0	
PLL-P 12-G04			G 1/2	53.4		8.0		24		44.4	
PLL-P 12-G04			G 1/2	53.4		8.0		24		44.4	