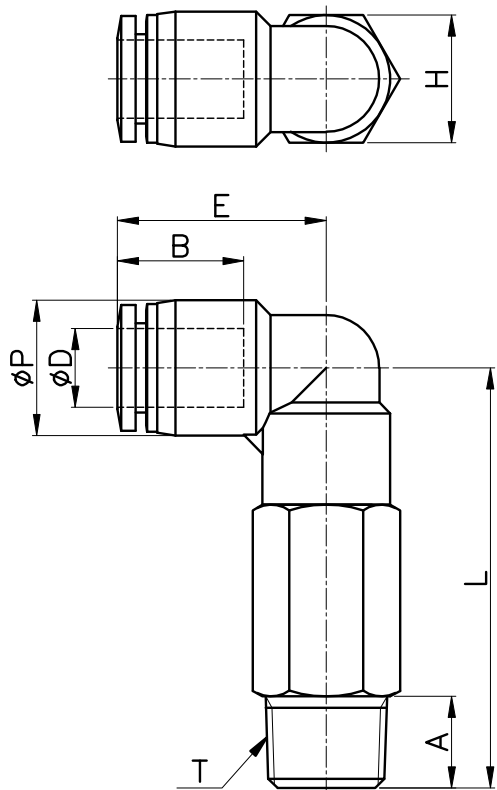


PLL



MODEL	øD	øP	T	L	E	A	B	H (Hex)	ORIFICE	WEIGHT (g)	BOX(EA)
PLL 04-M5	4	10.5	M5*0.8p	33.0	18.5	4.1	14.8	10	3.0	18.0	50
PLL 04-M6			M6*1.0p	33.2		4.3		10		16.0	50
PLL 04-01			R 1/8	35.5		8.0		10		16.0	50
PLL 04-02			R 1/4	37.5		10.0		14		28.0	50
PLL 04-03			R 3/8	38.5		11.0		17		39.0	50
PLL 06-M5	6	12.5	M5*0.8p	37.5	20.3	4.1	16.4	12	4.0	25.0	50
PLL 06-M6			M6*1.0p	37.7		4.3		12		25.0	50
PLL 06-01			R 1/8	40.0		8.0		12		25.0	50
PLL 06-02			R 1/4	42.0		10.0		14		33.0	50
PLL 06-03			R 3/8	43.0		11.0		17		48.0	50
PLL 06-04	R 1/2	46.0	14.0	21	96.0	25					
PLL 08-01	8	14.8	R 1/8	44.0	22.9	8.0	18.3	14	6.0	37.0	50
PLL 08-02			R 1/4	46.0		10.0		14		37.0	50
PLL 08-03			R 3/8	47.0		11.0		17		60.0	25
PLL 08-04			R 1/2	50.0		14.0		22		90.0	25
PLL 10-01	10	17.5	R 1/8	47.7	24.6	8.0	20.2	17	7.0	65.0	25
PLL 10-02			R 1/4	49.7		10.0		17		65.0	25
PLL 10-03			R 3/8	50.7		11.0		17		57.0	25
PLL 10-04			R 1/2	53.0		14.0		22		100.0	25
PLL 12-01	12	20.5	R 1/8	53.9	28.7	8.0	22.9	19	10.0	91.0	25
PLL 12-02			R 1/4	55.9		10.0		19		90.0	25
PLL 12-03			R 3/8	56.9		11.0		19		84.0	25
PLL 12-04			R 1/2	59.9		14.0		22		116.0	25
PLL 16-03	16	25.5	R 3/8	68.8	32.8	11.0	24.1	24	10.0	145.0	15
PLL 16-04			R 1/2	71.8		14.0		24		13.0	145.0