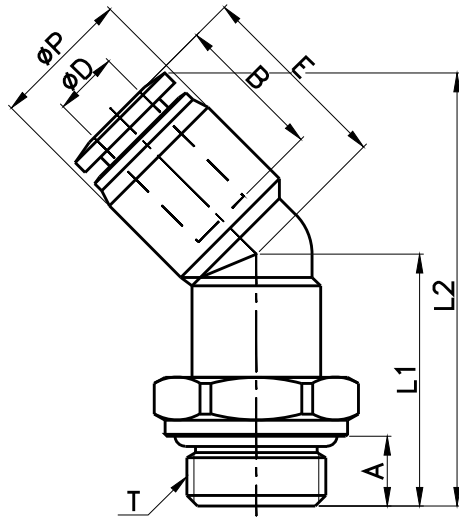
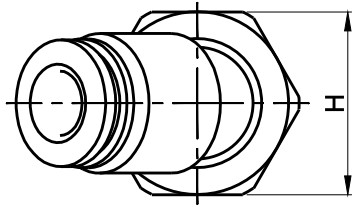


PL45-G



MODEL	øD	øP	T	L1	L2	E	A	B	H (Hex)	ORIFICE	WEIGHT (g)	BOX(EA)
PL45 04-G01	4	10.5	G 1/8	20.5	35.4	16.3	5.0	14.8	14	3.0	12.9	100
PL45 04-G02			G 1/4	22.5	37.4		6.5		17		16.9	100
PL45 04-G03			G 3/8	22.0	36.9		6.5		20		21.9	50
PL45 06-G01	6	13.0	G 1/8	21.5	38.3	18.4	5.0	16.4	14	4.0	15.0	100
PL45 06-G02			G 1/4	23.5	40.3		6.5		17		18.0	100
PL45 06-G03			G 3/8	23.0	39.8		6.5		20		25.0	50
PL45 08-G01	8	14.8	G 1/8	23.5	43.5	21.8	5.0	18.3	14	6.0	15.8	50
PL45 08-G02			G 1/4	25.5	45.5		6.5		17		20.8	50
PL45 08-G03			G 3/8	25.0	45.0		6.5		20		24.8	50
PL45 08-G04			G 1/2	26.5	46.5		8.0		24		36.8	50
PL45 10-G01	10	17.5	G 1/8	22.9	45.2	23.3	5.0	20.2	17	6.0	22.6	50
PL45 10-G02			G 1/4	24.9	47.2		6.5		17		23.6	50
PL45 10-G03			G 3/8	24.4	46.7		6.5		20		27.6	50
PL45 10-G04			G 1/2	25.9	48.2		8.0		24		41.6	25
PL45 12-G02	12	20.5	G 1/4	27.7	53.3	26.5	6.5	22.9	19	8.0	36.3	25
PL45 12-G03			G 3/8	27.2	52.8		6.5		20		38.3	25
PL45 12-G04			G 1/2	28.7	54.3		8.0		24	10.0	45.3	25