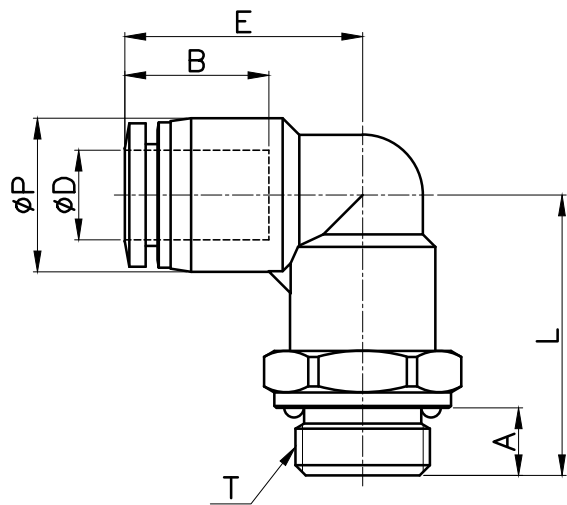
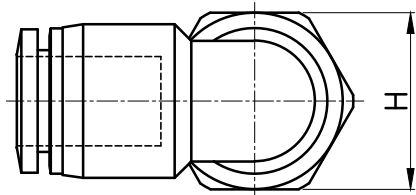


PL-M



MODEL	ϕD	ϕP	T	L	E	A	B	H (Hex)	ORIFICE	WEIGHT (g)	BOX(EA)
PL 06-M12	6	12.5	M12*1.5p	27.5	20.3	8.0	16.4	17	4.0	19.1	100
PL 06-M14			M14*1.5p	27.5				19		23.9	100
PL 06-M16			M16*1.5p	26.5				20		20.9	100
PL 06-M22			M22*1.5p	26.5				24		32.6	50
PL 08-M12	8	14.8	M12*1.5p	29.0	23.0	8.0	18.3	17	6.0	22.4	50
PL 08-M14			M14*1.5p	29.0				19		25.7	50
PL 08-M16			M16*1.5p	28.0				20		24.0	50
PL 08-M22			M22*1.5p	28.0				24		34.3	50
PL 10-M12	10	17.5	M12*1.5p	29.5	24.8	8.0	20.2	17	7.0	23.0	50
PL 10-M14			M14*1.5p	29.5				19	28.1	50	
PL 10-M16			M16*1.5p	28.5				20	26.7	50	
PL 10-M22			M22*1.5p	28.5				24	37.4	25	
PL 12-M12	12	20.5	M12*1.5p	32.4	28.9	8.0	22.9	19	7.0	33.5	25
PL 12-M14			M14*1.5p	32.4				20	38.6	25	
PL 12-M16			M16*1.5p	31.4				20	33.4	25	
PL 12-M22			M22*1.5p	31.4				24	48.2	25	