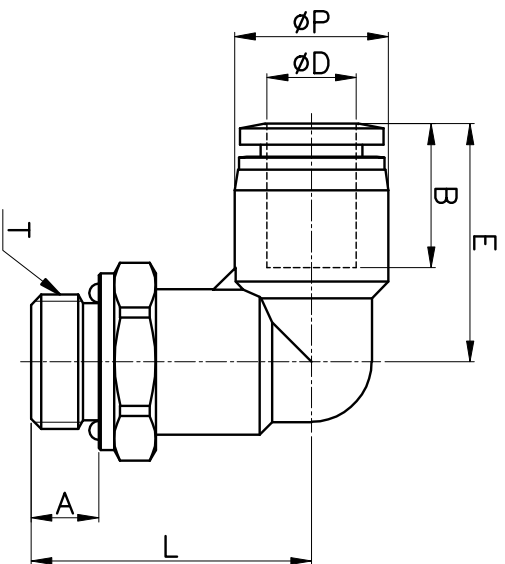
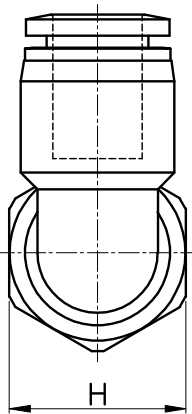


# PL-G



MODEL	ØD	ØP	T	L	E	A	B	H <sup>H</sup> (Hex)	ORIFICE	WEIGHT (g)	BOX(EA)
PL 04-G01	4	10.5	G 1/8	21.5	18.5	5.0	14.8	14	3.0	13.0	100
PL 04-G02			G 1/4	23.5		6.5		17		17.0	100
PL 04-G03	6	12.5	G 3/8	23.0	20.3	6.5	16.4	20	4.0	22.0	50
PL 06-G01			G 1/8	23.5		5.0		14		15.0	100
PL 06-G02	6	12.5	G 1/4	25.5	25.0	6.5	20.3	17	4.0	18.0	100
PL 06-G03			G 3/8	25.0		6.5		20		25.0	50
PL 08-G01	8	14.8	G 1/8	25.0	22.9	5.0	18.3	14	6.0	16.0	50
PL 08-G02			G 1/4	27.0		6.5		17		21.0	50
PL 08-G03	8	14.8	G 3/8	26.5	28.0	6.5	24.1	20	6.0	25.0	50
PL 08-G04			G 1/2	28.0		8.0		24		37.0	50
PL 10-G01	10	17.5	G 1/8	25.5	24.6	5.0	20.2	17	6.0	23.0	50
PL 10-G02			G 1/4	27.5		6.5		17		24.0	50
PL 10-G03	10	17.5	G 3/8	27.0	28.5	6.5	20.2	20	6.0	28.0	50
PL 10-G04			G 1/2	28.5		8.0		24		42.0	25
PL 12-G02	12	20.5	G 1/4	30.4	28.7	6.5	22.9	19	8.0	36.0	25
PL 12-G03			G 3/8	29.9		6.5		20		38.0	25
PL 12-G04	12	20.5	G 1/2	31.4	31.4	8.0	23.7	24	10.0	45.0	25
PL 14-G03			G 3/8	34.0		6.5		22		45.0	20
PL 14-G04	14	23.3	G 1/2	35.5	32.8	8.0	24.1	24	12.0	50.0	20
PL 16-G03			G 3/8	39.3		6.5		24		66.0	20
PL 16-G04	16	25.5	G 1/2	40.8	32.8	8.0	24.1	24	13.0	70.0	20
PL 16-G04			G 1/2	40.8		8.0		24		70.0	20