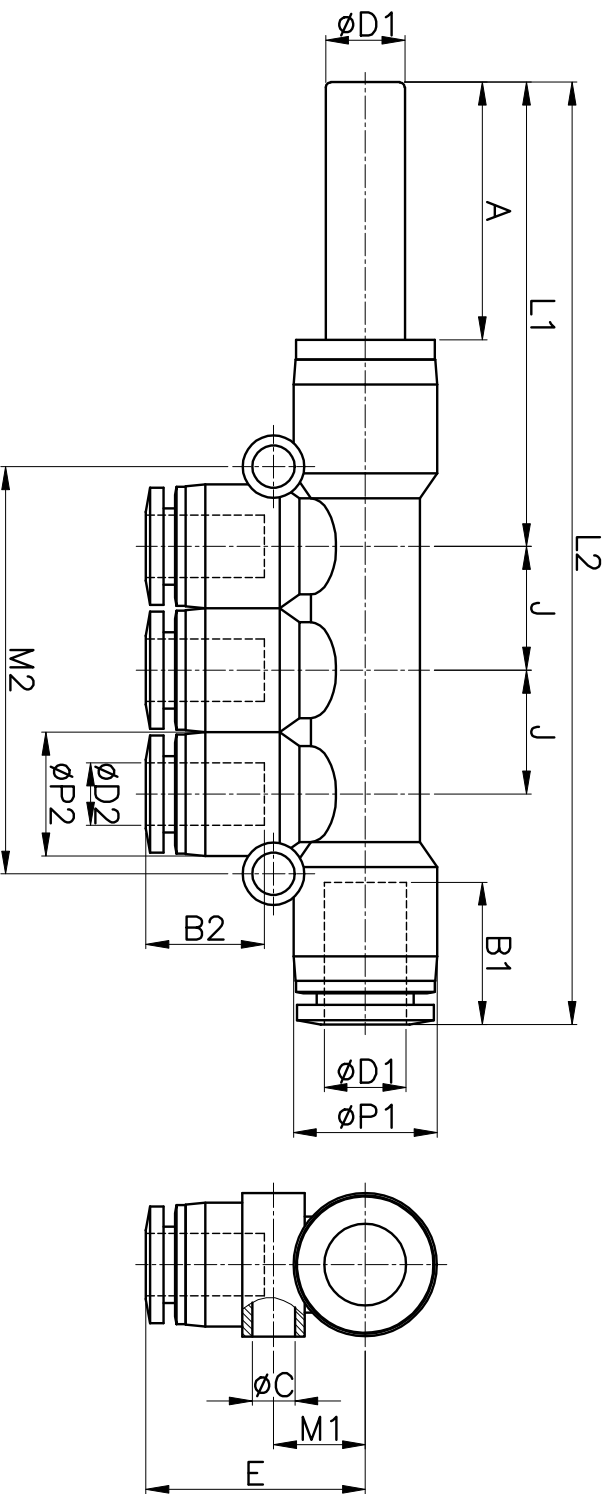


PKJ



MODEL	$\phi D1$	$\phi D2$	$\phi P1$	$\phi P2$	L1	L2	E	ϕC	A	B1	B2	J	M1	M2	ORIFICE	WEIGHT (g)	BOX(EA)
PKJ 0604	6	4	12.5	10.5	44.1	86.1	19.5	3.3	25.0	16.4	14.8	10.5	7.6	34.0	3.0	17.0	25
PKJ 0804	8	4	14.5	10.5	45.9	89.1	20.7	4.3	26.0	18.3	14.8	10.5	9.2	34.8	3.0	17.0	25
PKJ 0806	8	6	14.5	12.5	46.9	95.1	22.2	4.3	26.0	18.3	16.4	12.5	9.3	41.1	5.0	19.0	25
PKJ 1006	10	6	17.5	12.5	52.2	103.9	22.8	4.3	28.0	20.2	16.4	12.5	9.5	41.7	5.0	30.0	20
PKJ 1008	10	8	17.5	14.5	52.8	109.2	25.7	4.3	28.0	20.2	18.3	14.5	9.5	47.0	6.8	33.0	20