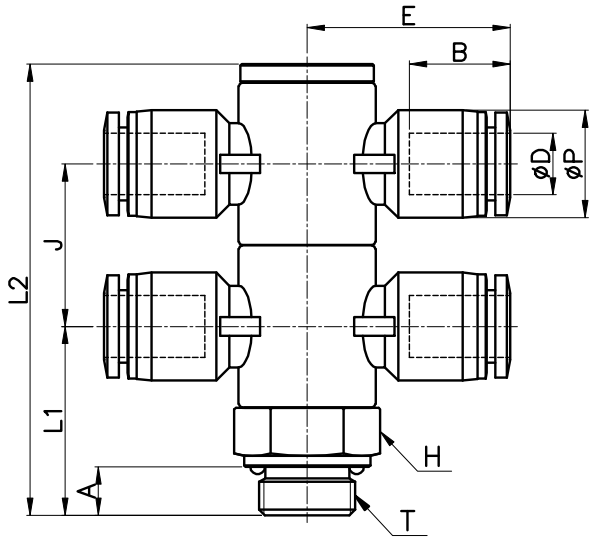
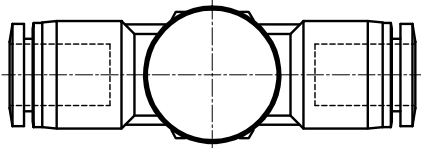


PHT-G(2)



MODEL	ϕD	ϕP	T	L1	L2	E	A	B	J	H (Hex)	ORIFICE	WEIGHT (g)	BOX(EA)
PHT 04-G01(2)	4	10.5	G 1/8	20.5	49.8	23.3	5.0	14.8	17.9	14	3.2	42.0	25
PHT 04-G02(2)			G 1/4	25.5	60.8	25.1	6.5		21.9	17		65.0	25
PHT 04-G03(2)			G 3/8	26.0	61.8	27.0	6.5		21.9	21		99.0	12
PHT 04-G04(2)			G 1/2	29.6	68.9	29.0	8.0		23.9	24		140.0	12
PHT 06-G01(2)	6	12.5	G 1/8	20.5	49.8	24.1	5.0	16.4	17.9	14	4.0	45.0	25
PHT 06-G02(2)			G 1/4	25.5	60.8	26.0	6.5		21.9	17	68.0	20	
PHT 06-G03(2)			G 3/8	26.0	61.8	27.9	6.5		21.9	21	5.0	100.0	16
PHT 06-G04(2)			G 1/2	29.6	68.9	29.3	8.0		23.9	24	142.0	12	
PHT 08-G01(2)	8	14.5	G 1/8	20.5	49.8	25.6	5.0	18.3	17.9	14	5.0	49.0	20
PHT 08-G02(2)			G 1/4	25.5	60.8	27.4	6.5		21.9	17	72.0	20	
PHT 08-G03(2)			G 3/8	26.0	61.8	29.3	6.5		21.9	21	7.0	104.0	12
PHT 08-G04(2)			G 1/2	29.6	68.9	30.7	8.0		23.9	24	146.0	12	
PHT 10-G01(2)	10	17.5	G 1/8	20.5	49.8	28.1	5.0	20.2	17.9	14	5.0	59.0	15
PHT 10-G02(2)			G 1/4	25.5	60.8	29.8	6.5		21.9	17	83.0	12	
PHT 10-G03(2)			G 3/8	26.0	61.8	31.9	6.5		21.9	21	8.0	115.0	9
PHT 10-G04(2)			G 1/2	29.6	68.9	33.7	8.0		23.9	24	155.0	9	
PHT 12-G02(2)	12	20.5	G 1/4	25.5	60.8	33.0	6.5	22.9	21.9	17	8.0	98.0	9
PHT 12-G03(2)			G 3/8	26.0	61.8	35.1	6.5		21.9	21	127.0	9	
PHT 12-G04(2)			G 1/2	29.6	68.9	37.4	8.0		23.9	24	168.0	8	