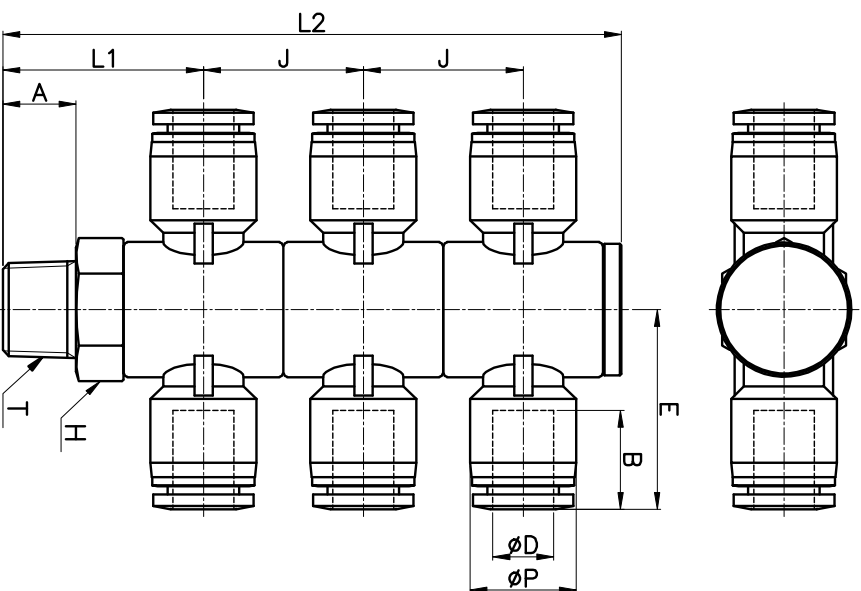


PHT(3)



MODEL	øD	øP	T	L1	L2	E	A	B	J	H (Hex)	ORIFICE	WEIGHT	
												(g)	BOX(EA)
PHT 04-01(3)	4	10.5	R 1/8	22.5	69.7	23.3	8.0	14.8	17.9	14	3.2	57.0	20
PHT 04-02(3)			R 1/4	27.5	84.7	25.1	10.0		21.9	17		86.0	20
PHT 04-03(3)			R 3/8	29.0	86.7	27.0	11.0		21.9	21		128.0	12
PHT 04-04(3)			R 1/2	34.1	97.3	29.0	14.0		23.9	24		187.0	9
PHT 06-01(3)	6	12.5	R 1/8	22.5	69.7	24.1	8.0	16.4	17.9	14	4.0	62.0	15
PHT 06-02(3)			R 1/4	27.5	84.7	26.0	10.0		21.9	17		91.0	15
PHT 06-03(3)			R 3/8	29.0	86.7	27.9	11.0		21.9	21		132.0	12
PHT 06-04(3)			R 1/2	34.1	97.3	29.3	14.0		23.9	24		191.0	9
PHT 08-01(3)	8	14.5	R 1/8	22.5	69.7	25.6	8.0	18.3	17.9	14	5.0	67.0	15
PHT 08-02(3)			R 1/4	27.5	84.7	27.4	10.0		21.9	17		98.0	12
PHT 08-03(3)			R 3/8	29.0	86.7	29.3	11.0		21.9	21		136.0	12
PHT 08-04(3)			R 1/2	34.1	97.3	30.7	14.0		23.9	24		199.0	8
PHT 10-01(3)	10	17.5	R 1/8	22.5	69.7	28.1	8.0	20.2	17.9	14	5.0	83.0	10
PHT 10-02(3)			R 1/4	27.5	84.7	29.8	10.0		21.9	17		112.0	10
PHT 10-03(3)			R 3/8	29.0	86.7	31.9	11.0		21.9	21		152.0	8
PHT 10-04(3)			R 1/2	34.1	97.3	33.7	14.0		23.9	24		209.0	8
PHT 12-02(3)	12	20.5	R 1/4	27.5	84.7	33.0	10.0	22.9	21.9	17	8.0	133.0	8
PHT 12-03(3)			R 3/8	29.0	86.7	35.1	11.0		21.9	21		171.0	8
PHT 12-04(3)			R 1/2	34.1	97.3	37.4	14.0		23.9	24		226.0	8