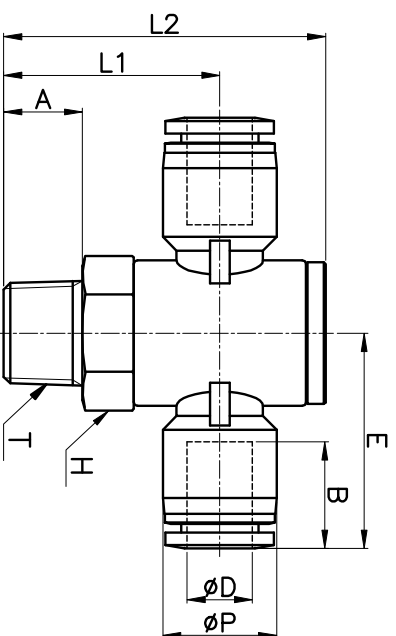
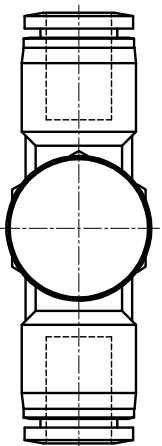


PHT(1)



MODEL	ϕD	ϕP	T	L1	L2	E	A	B	H (Hex)	ORIFICE	WEIGHT (g)	BOX(EA)
PHT 04-01(1)	4	10.5	R 1/8	22.5	33.9	23.3	8.0	14.8	14	3.2	31.0	25
PHT 04-02(1)			R 1/4	27.5	40.9	25.1	10.0		17		47.0	25
PHT 04-03(1)			R 3/8	29.0	42.9	27.0	11.0		21		71.0	25
PHT 04-04(1)	6	12.5	R 1/2	34.1	49.6	29.0	14.0	16.4	24	5.0	105.0	20
PHT 06-01(1)			R 1/8	22.5	33.9	24.1	8.0		14		32.0	25
PHT 06-02(1)			R 1/4	27.5	40.9	26.0	10.0		17		48.0	25
PHT 06-03(1)	8	14.5	R 3/8	29.0	42.9	27.9	11.0	18.3	21	7.0	73.0	25
PHT 06-04(1)			R 1/2	34.1	49.6	29.3	14.0		24		106.0	20
PHT 08-01(1)			R 1/8	22.5	33.9	25.6	8.0		14		34.0	25
PHT 08-02(1)	10	17.5	R 1/4	27.5	40.9	27.4	10.0	20.2	17	5.0	50.0	25
PHT 08-03(1)			R 3/8	29.0	42.9	29.3	11.0		21		74.0	25
PHT 08-04(1)			R 1/2	34.1	49.6	30.7	14.0		24		108.0	20
PHT 10-01(1)	12	20.5	R 1/8	22.5	33.9	28.1	8.0	22.9	14	8.0	38.0	25
PHT 10-02(1)			R 1/4	27.5	40.9	29.8	10.0		17		54.0	25
PHT 10-03(1)			R 3/8	29.0	42.9	31.9	11.0		21		78.0	25
PHT 10-04(1)	12	20.5	R 1/2	34.1	49.6	33.7	14.0	24	24	8.0	111.0	20
PHT 12-02(1)			R 1/4	27.5	40.9	33.0	10.0		17		61.0	20
PHT 12-03(1)			R 3/8	29.0	42.9	35.1	11.0		21		85.0	20
PHT 12-04(1)	12	20.5	R 1/2	34.1	49.6	37.4	14.0	24	24	8.0	118.0	15