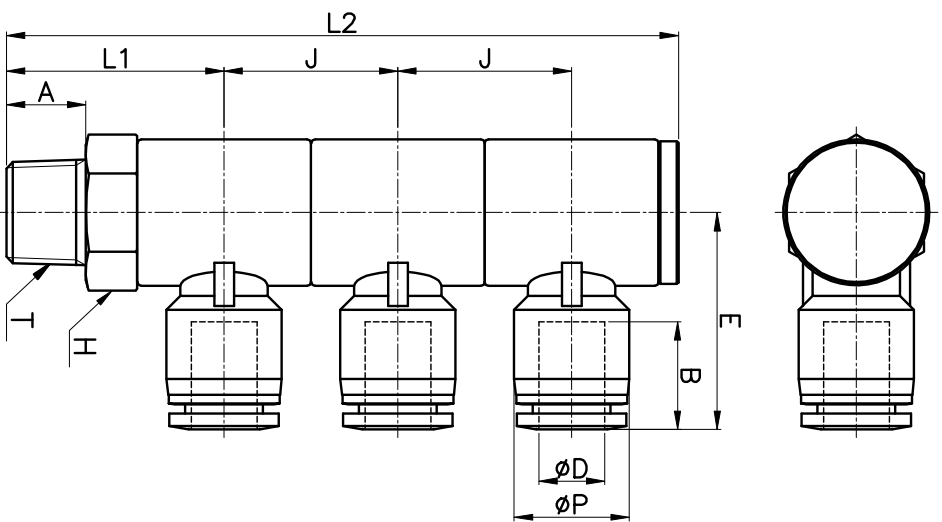


PHL(3)



MODEL	∅D	∅P	T	L1	L2	E	A	B	J	H (Hex)	ORIFICE	WEIGHT (g)	BOX(EA)				
PHL 04-01(3)	4	10.5	R 1/8	22.5	69.7	23.3	8.0	14.8	17.9	14	3.2	48.0	25				
PHL 04-02(3)			R 1/4	27.5	84.7	25.1	10.0		21.9	17		76.0	25				
PHL 04-03(3)			R 3/8	29.0	86.7	27.0	11.0		21.9	21		117.0	25				
PHL 04-04(3)	6	12.5	R 1/2	34.1	97.3	29.0	14.0	16.4	23.9	24	4.0	174.0	12				
PHL 06-01(3)			R 1/8	22.5	69.7	24.1	8.0		17.9	14		50.0	25				
PHL 06-02(3)			R 1/4	27.5	84.7	26.0	10.0		21.9	17		79.0	25				
PHL 06-03(3)			R 3/8	29.0	86.7	27.9	11.0		21.9	21		115.0	20				
PHL 06-04(3)			R 1/2	34.1	97.3	29.3	14.0		23.9	24		176.0	12				
PHL 08-01(3)			8	14.5	R 1/8	22.5	69.7		25.6	8.0		18.3	17.9	14	5.0	53.0	25
PHL 08-02(3)	R 1/4	27.5			84.7	27.4	10.0	21.9	17	86.0	15						
PHL 08-03(3)	R 3/8	29.0			86.7	29.3	11.0	21.9	21	121.0	15						
PHL 08-04(3)	R 1/2	34.1			97.3	30.7	14.0	23.9	24	177.0	12						
PHL 10-01(3)	10	17.5			R 1/8	22.5	69.7	28.1	8.0	20.2	17.9		14	5.0		59.0	12
PHL 10-02(3)					R 1/4	27.5	84.7	29.8	10.0		21.9		17			87.0	12
PHL 10-03(3)			R 3/8	29.0	86.7	31.9	11.0	21.9	21		128.0	12					
PHL 10-04(3)			R 1/2	34.1	97.3	33.7	14.0	23.9	24		184.0	12					
PHL 12-02(3)			12	20.5	R 1/4	27.5	84.7	33.0	10.0		22.9	21.9	17		8.0	98.0	8
PHL 12-03(3)					R 3/8	29.0	86.7	35.1	11.0			21.9	21			137.0	8
PHL 12-04(3)	R 1/2	34.1			97.3	37.4	14.0	23.9	24	194.0		8					