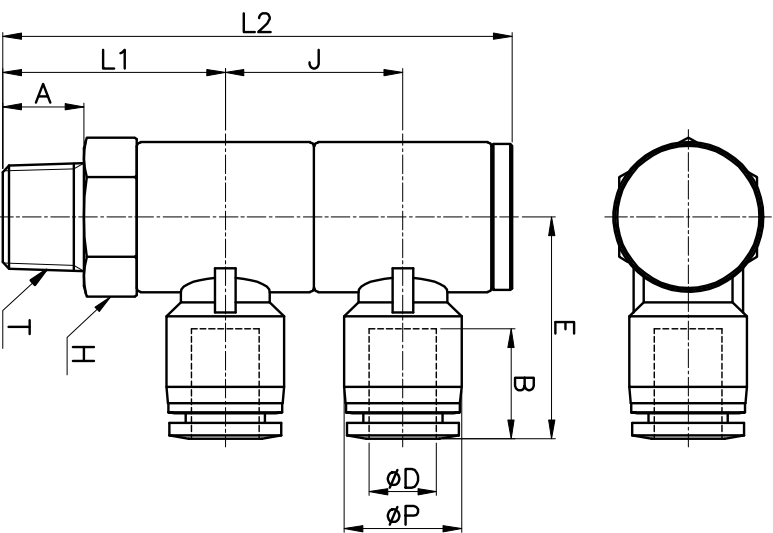


# PHL (2)



MODEL	ØD	ØP	T	L1	L2	E	A	B	J	H (Hex)	ORIFICE	WEIGHT (g)	BOX(EA)
PHL 04-01(2)	4	10.5	R 1/8	22.5	51.8	23.3	8.0	14.8	17.9	14	3.2	37.0	25
PHL 04-02(2)			R 1/4	27.5	62.8	25.1	10.0		21.9	17		59.0	25
PHL 04-03(2)	4	10.5	R 3/8	29.0	64.8	27.0	11.0	14.8	21.9	21	3.2	92.0	25
PHL 04-04(2)			R 1/2	34.1	73.4	29.0	14.0		23.9	24		135.0	20
PHL 06-01(2)	6	12.5	R 1/8	22.5	51.8	24.1	8.0	16.4	17.9	14	4.0	38.0	25
PHL 06-02(2)			R 1/4	27.5	62.8	26.0	10.0		21.9	17		61.0	25
PHL 06-03(2)	6	12.5	R 3/8	29.0	64.8	27.9	11.0	16.4	21.9	21	5.0	93.0	25
PHL 06-04(2)			R 1/2	34.1	73.4	29.3	14.0		23.9	24		137.0	20
PHL 08-01(2)	8	14.5	R 1/8	22.5	51.8	25.6	8.0	18.3	17.9	14	5.0	40.0	25
PHL 08-02(2)			R 1/4	27.5	62.8	27.4	10.0		21.9	17		62.0	25
PHL 08-03(2)	8	14.5	R 3/8	29.0	64.8	29.3	11.0	18.3	21.9	21	7.0	94.0	20
PHL 08-04(2)			R 1/2	34.1	73.4	30.7	14.0		23.9	24		138.0	12
PHL 10-01(2)	10	17.5	R 1/8	22.5	51.8	28.1	8.0	20.2	17.9	14	5.0	44.0	25
PHL 10-02(2)			R 1/4	27.5	62.8	29.8	10.0		21.9	17		66.0	25
PHL 10-03(2)	10	17.5	R 3/8	29.0	64.8	31.9	11.0	20.2	21.9	21	8.0	99.0	20
PHL 10-04(2)			R 1/2	34.1	73.4	33.7	14.0		23.9	24		142.0	12
PHL 12-02(2)	12	20.5	R 1/4	27.5	62.8	33.0	10.0	22.9	21.9	17	8.0	72.0	9
PHL 12-03(2)			R 3/8	29.0	64.8	35.1	11.0		21.9	21		105.0	9
PHL 12-04(2)	12	20.5	R 1/2	34.1	73.4	37.4	14.0	22.9	23.9	24	8.0	149.0	9
PHL 12-04(2)			R 1/2	34.1	73.4	37.4	14.0		23.9	24		149.0	9