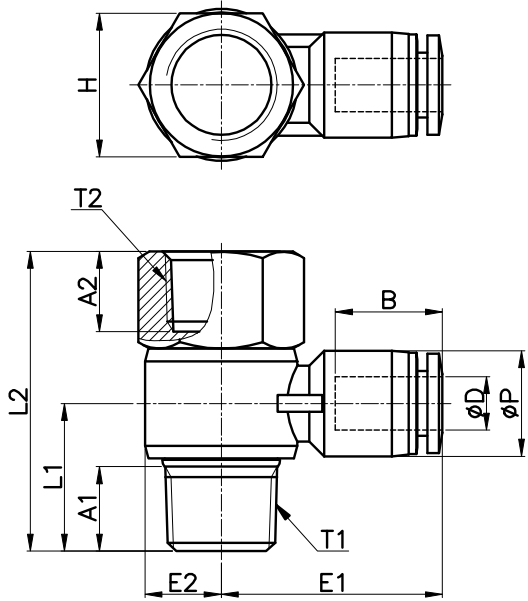


PHF



MODEL	øD	øP	T1	T2	L1	L2	E1	E2	A1	A2	B	H (Hex)	ORIFICE	WEIGHT (g)	BOX(EA)
PHF 03-M5	3	7.8	M5*0.8p	M5*0.8p	9.6	20.0	16.6	5.0	3.6	6.0	11.3	8	2.0	7.0	100
PHF 04-M5	4	10.5	M5*0.8p	M5*0.8p	10.3	20.0	20.2	5.0	3.6	6.0	14.8	8	2.0	7.0	50
PHF 04-M6			M6*1.0p	M6*1.0p	12.0	25.0	23.3	7.0	4.1	8.0		15.3	11	2.5	16.0
PHF 04-01			R 1/8	Rc 1/8	14.9	30.7	23.3	7.0	8.0	9.0	17		14	3.0	20.0
PHF 04-02			R 1/4	Rc 1/4	17.4	35.5	25.3	9.0	10.0	11.0		16.4	17	3.0	31.0
PHF 06-M5	6	12.5	M5*0.8p	M5*0.8p	11.4	20.0	22.7	5.0	3.6	6.0	8		2.0	9.0	50
PHF 06-M6			M6*1.0p	M6*1.0p	12.0	25.0	24.2	7.0	4.1	8.0	11		3.0	16.0	50
PHF 06-01			R 1/8	Rc 1/8	14.9	30.7	24.2	7.0	8.0	9.0	14		4.5	20.0	50
PHF 06-02			R 1/4	Rc 1/4	17.4	35.5	26.2	9.0	10.0	11.0	17		5.0	32.0	50
PHF 06-03			R 3/8	Rc 3/8	19.9	41.2	27.7	11.0	11.0	13.0	21		5.0	55.0	25
PHF 06-04			R 1/2	Rc 1/2	24.0	49.5	30.7	14.0	14.0	15.0	24	5.0	65.0	25	
PHF 08-01	8	14.8	R 1/8	Rc 1/8	16.0	30.7	25.9	7.0	8.0	9.0	18.3	14	5.0	22.0	50
PHF 08-02			R 1/4	Rc 1/4	18.2	35.5	27.9	9.0	10.0	11.0		17	6.6	32.0	50
PHF 08-03			R 3/8	Rc 3/8	19.9	41.2	28.9	11.0	11.0	13.0		21	6.0	56.0	25
PHF 08-04			R 1/2	Rc 1/2	24.0	49.5	31.8	14.0	14.0	15.0		24	6.5	85.0	20
PHF 10-01	10	17.5	R 1/8	Rc 1/8	17.5	30.7	28.1	7.0	8.0	9.0	19.7	14	5.0	30.0	25
PHF 10-02			R 1/4	Rc 1/4	19.7	35.5	29.9	9.0	10.0	11.0		17	6.4	34.0	25
PHF 10-03			R 3/8	Rc 3/8	21.2	41.2	31.0	11.2	11.0	13.0		21	8.2	58.0	25
PHF 10-04			R 1/2	Rc 1/2	24.0	49.5	33.4	14.0	14.0	15.0		24	8.0	86.0	20
PHF 12-02	12	20.5	R 1/4	Rc 1/4	21.2	35.5	33.3	9.0	10.0	11.0	22.4	17	7.0	55.0	25
PHF 12-03			R 3/8	Rc 3/8	22.0	41.2	33.7	11.5	11.0	13.0	21.9	21	9.6	62.0	25
PHF 12-04			R 1/2	Rc 1/2	25.5	49.5	36.1	14.0	14.0	15.0		24	9.5	90.0	20