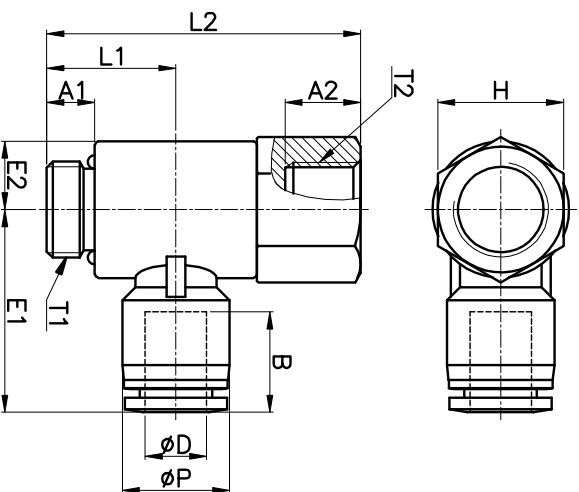


PHF-G



MODEL	ØD	ØP	T1	T2	L1	L2	E1	E2	A1	A2	B	H (Hex)	ORIFICE	WEIGHT (g)	BOX(EA)
PHF 04-G01	4	10.5	G 1/8	G 1/8	14.0	33.9	23.3	7.7	5.0	9.0	14.8	14	3.2	22.0	50
			G 1/4	G 1/4	17.5	42.4	25.1	9.3	6.5	12.0		17		39.0	50
			G 3/8	G 3/8	17.5	44.4	27.0	11.2	6.5	13.0		21		60.0	25
PHF 04-G03	4	10.5	G 1/2	G 1/2	20.0	49.9	29.0	13.4	8.0	16.0	14.8	24	3.2	75.0	25
			G 1/8	G 1/8	14.0	33.9	24.1	7.7	5.0	9.0		14		22.0	50
			G 1/4	G 1/4	17.5	42.4	26.0	9.3	6.5	12.0		17		39.0	50
PHF 06-G02	6	12.5	G 3/8	G 3/8	17.5	44.4	27.9	11.2	6.5	13.0	16.4	21	5.0	61.0	25
			G 1/2	G 1/2	20.0	49.9	29.3	13.4	8.0	16.0		24		76.0	25
			G 1/8	G 1/8	14.0	33.9	25.6	7.7	5.0	9.0		14		25.0	50
PHF 08-G01	8	14.5	G 1/4	G 1/4	17.5	42.4	27.4	9.3	6.5	12.0	18.3	17	7.0	40.0	50
			G 3/8	G 3/8	17.5	44.4	29.3	11.2	6.5	13.0		21		62.0	25
			G 1/2	G 1/2	20.0	49.9	30.7	13.4	8.0	16.0		24		78.0	20
PHF 10-G01	10	17.5	G 1/8	G 1/8	14.0	33.9	28.1	7.7	5.0	9.0	20.2	14	8.0	27.0	25
			G 1/4	G 1/4	17.5	42.4	29.8	9.3	6.5	12.0		17		44.0	25
			G 3/8	G 3/8	17.5	44.4	31.9	11.2	6.5	13.0		21		64.0	25
PHF 10-G03	10	17.5	G 1/2	G 1/2	20.0	49.9	33.7	13.4	8.0	16.0	20.2	24	8.0	80.0	20
			G 1/4	G 1/4	17.5	42.4	33.0	9.3	6.5	12.0		17		44.0	25
			G 3/8	G 3/8	17.5	44.4	35.1	11.2	6.5	13.0		21		68.0	25
PHF 12-G02	12	20.5	G 1/2	G 1/2	20.0	49.9	37.4	13.4	8.0	16.0	22.9	24	8.0	90.0	20
			G 1/4	G 1/4	17.5	42.4	33.0	9.3	6.5	12.0		17		44.0	25
			G 3/8	G 3/8	17.5	44.4	35.1	11.2	6.5	13.0		21		68.0	25
PHF 12-G03	12	20.5	G 1/2	G 1/2	20.0	49.9	37.4	13.4	8.0	16.0	22.9	24	8.0	90.0	20
			G 1/4	G 1/4	17.5	42.4	33.0	9.3	6.5	12.0		17		44.0	25
			G 3/8	G 3/8	17.5	44.4	35.1	11.2	6.5	13.0		21		68.0	25
PHF 12-G04	12	20.5	G 1/2	G 1/2	20.0	49.9	37.4	13.4	8.0	16.0	22.9	24	8.0	90.0	20
			G 1/4	G 1/4	17.5	42.4	33.0	9.3	6.5	12.0		17		44.0	25
			G 3/8	G 3/8	17.5	44.4	35.1	11.2	6.5	13.0		21		68.0	25