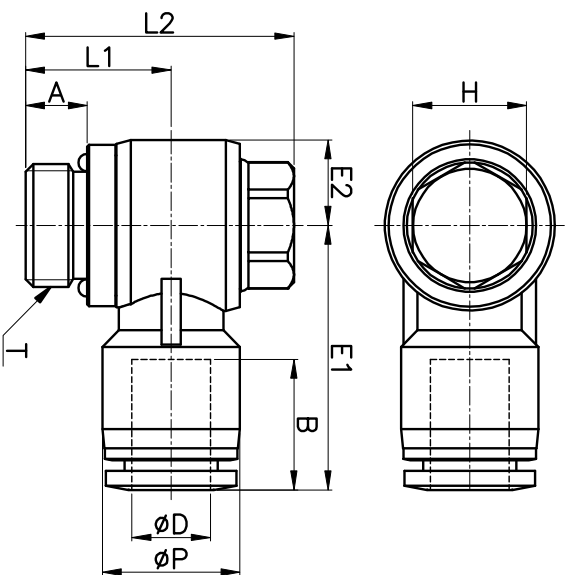


PH-G



MODEL	ØD	ØP	T	L1	L2	E1	E2	A	B	H (Hex)	ORIFICE	WEIGHT (g)	BOX(EA)		
PH 04-G01	4	10.5	G 1/8	14.3	24.7	23.3	7.0	5.0	15.3	8	3.0	15.0	50		
PH 04-G02			G 1/4	16.1	28.3	25.3	9.0	6.5		12	3.0	12	3.0	25.0	50
PH 06-G01	6	12.5	G 1/8	14.3	24.7	24.2	7.0	5.0	16.4	8	4.5	16.0	50		
PH 06-G02			G 1/4	16.1	28.3	26.2	9.0	6.5		12	5.0	12	5.0	26.0	50
PH 06-G03	8	14.5	G 3/8	19.9	33.0	27.7	11.0	6.5	18.3	14	5.0	50.0	25		
PH 08-G01			G 1/8	13.2	24.7	25.9	7.0	5.0		8	5.0	8	5.0	17.0	50
PH 08-G02			G 1/4	15.4	28.3	27.9	9.0	6.5		12	6.6	12	6.6	26.0	50
PH 08-G03			G 3/8	19.9	33.0	28.9	11.0	6.5		14	6.0	14	6.0	50.0	25
PH 08-G04	10	17.5	G 1/2	22.2	37.7	31.8	14.0	8.0	19.7	19	6.5	70.0	25		
PH 10-G02			G 1/4	17.4	28.3	29.9	9.0	6.5		12	6.4	12	6.4	28.0	25
PH 10-G03			G 3/8	18.6	33.0	31.0	11.0	6.5		14	8.2	14	8.2	50.0	25
PH 10-G04	12	20.5	G 1/2	22.2	37.7	33.4	14.0	8.0	21.9	19	8.0	73.0	20		
PH 12-G03			G 3/8	17.8	33.0	33.7	11.0	6.5		14	9.6	14	9.6	53.0	25
PH 12-G04			G 1/2	20.7	37.7	36.1	14.0	8.0		19	9.5	78.0	20		