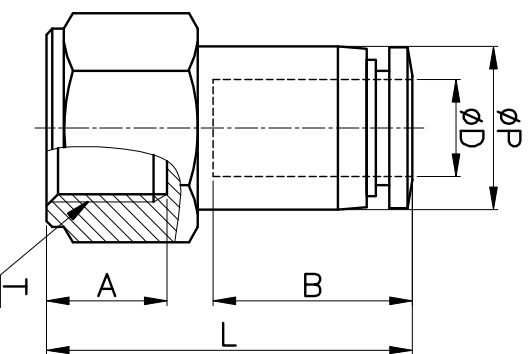
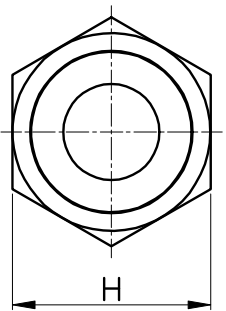


PCF-G



MODEL	øD	øP	T	L	A	B	H ^H (Hex)	ORIFICE	WEIGHT (g)	BOX(EA)
PCF 04-G01	4	10.0	G 1/8	27.1	9.0	14.8	14	3.5	16.0	100
			G 1/4	29.1	11.0		17		20.0	100
PCF 04-G03	4	10.0	G 3/8	30.1	12.0	14.8	22	3.5	35.0	50
PCF 06-G01			G 1/8	28.2	10.0		14		17.0	100
PCF 06-G02	6	12.0	G 1/4	30.2	11.0	16.4	17	5.0	23.0	100
PCF 06-G03			G 3/8	31.2	12.0		22		36.0	50
PCF 08-G01	8	14.0	G 1/8	29.4	10.0	18.4	14	6.0	19.0	100
PCF 08-G02			G 1/4	31.4	11.0		17		24.0	100
PCF 08-G03	8	14.0	G 3/8	32.4	12.0	18.4	22	6.0	38.0	50
PCF 08-G04			G 1/2	34.4	14.0		24		37.0	50
PCF 10-G01	10	16.4	G 1/8	32.6	10.0	19.7	17	8.5	31.0	100
PCF 10-G02			G 1/4	32.6	11.0		17		25.0	100
PCF 10-G03	10	16.4	G 3/8	33.6	12.0	19.7	22	8.5	39.0	50
PCF 10-G04			G 1/2	35.6	14.0		24		42.0	50
PCF 12-G02	12	19.0	G 1/4	37.1	11.0	21.9	22	10.0	52.0	50
PCF 12-G03			G 3/8	37.1	12.0		22		45.0	50
PCF 12-G04	12	19.0	G 1/2	39.1	14.0	21.9	24	10.0	48.0	25