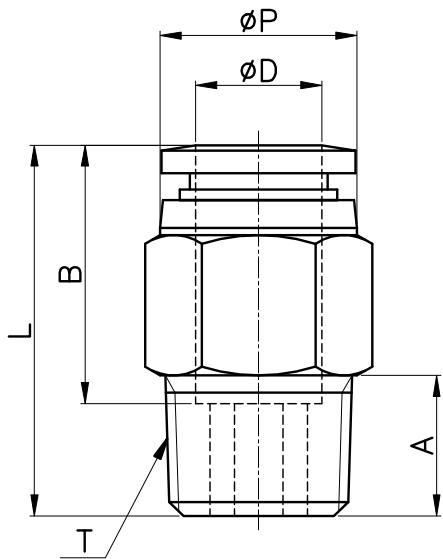
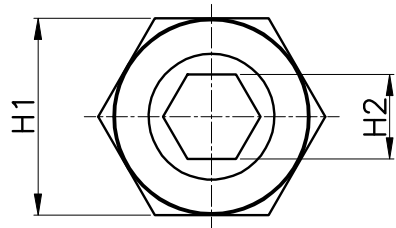


PC



MODEL	ϕD	ϕP	T	L	A	B	H1 (Hex)	H2 (Hex)	ORIFICE	WEIGHT (g)	BOX(EA)	
PC 04-M5	4	10.0	M5*0.8p	20.9	4.0	14.8	10	—	2.5	7.0	100	
PC 04-M6			M6*1.0p	20.9	4.1		10	—		8.0	100	
PC 04-01			R 1/8	22.0	8.0		10	3	3.0	9.0	100	
PC 04-02			R 1/4	21.0	10.0		14	3		16.0	100	
PC 04-03			R 3/8	22.0	11.0		17	3		28.0	100	
PC 06-M5	6	12.0	M5*0.8p	23.1	4.0	16.4	12	—	2.5	10.0	100	
PC 06-M6			M6*1.0p	23.0	4.1		12	—	3.0	10.0	100	
PC 06-01			R 1/8	23.4	8.0		12	4	4.0	10.0	100	
PC 06-02			R 1/4	21.9	10.0		14	5		5.0	14.0	100
PC 06-03			R 3/8	22.9	11.0		17	5	25.0		100	
PC 06-04			R 1/2	29.2	14.0		19	5	53.0		50	
PC 08-01	8	14.0	R 1/8	28.4	8.0	18.4	14	5	5.0	15.0	100	
PC 08-02			R 1/4	26.4	10.0		14	6		6.0	16.0	100
PC 08-03			R 3/8	23.9	11.0		17	6	24.0		100	
PC 08-04			R 1/2	29.4	14.0		19	6	49.0		50	
PC 10-01	10	16.1	R 1/8	29.9	8.0	19.7	17	5	5.0	21.0	100	
PC 10-02			R 1/4	31.4	10.0		17	6		6.0	24.0	100
PC 10-03			R 3/8	27.5	11.0		17	8	8.0		24.0	100
PC 10-04			R 1/2	29.9	14.0		19	8			45.0	50
PC 12-01	12	19.0	R 1/8	33.2	8.0	21.9	19	5	5.0	30.0	50	
PC 12-02			R 1/4	33.7	10.0		19	6		6.0	30.0	50
PC 12-03			R 3/8	30.7	11.0		19	8	8.0		29.0	50
PC 12-04			R 1/2	30.2	14.0		19	8			38.0	50
PC 14-03	14	21.8	R 3/8	36.6	11.0	23.8	22	10	10.0	42.0	25	
PC 14-04			R 1/2	34.0	14.0		22	10		49.0	25	
PC 16-03	16	24.0	R 3/8	37.5	11.0	24.0	24	10	10.0	51.0	25	
PC 16-04			R 1/2	40.5	14.0		24	10		65.0	25	