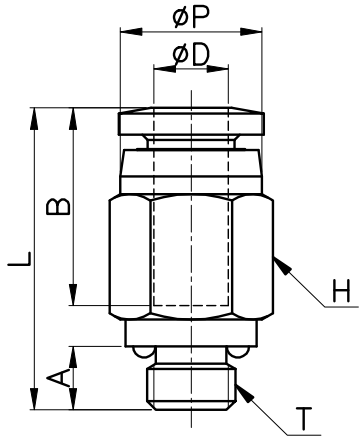
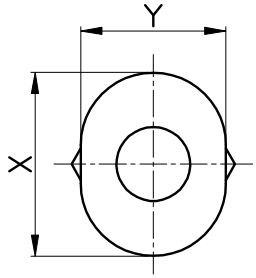


PC-C



MODEL	ØD	ØP	T	L	A	B	H (Hex)	X	Y	ORIFICE	WEIGHT (g)	BOX(EA)
PC 03-M3C	3	7.0	M3*0.5p	16.1	3.0	11.2	7	9.2	7.2	1.5	3.0	100
PC 03-M5C		7.2	M5*0.8p	16.3	3.6		8				4.0	100
PC 03-M6C			M6*1.0p	16.7	4.1		8			4.0	100	
PC 03-01C		R 1/8	16.9	8.0	10		5.0			100		
PC 04-M3C	4	8.0	M3*0.5p	16.8	3.0	11.7	8	10.4	8.2	1.5	4.0	100
PC 04-M5C			M5*0.8p	17.1	3.6		8			4.0	100	
PC 04-M6C			M6*1.0p	17.7	4.1		8			4.0	100	
PC 04-01C			R 1/8	16.7	8.0		10			6.0	100	
PC 06-M5C	6	10.0	M5*0.8p	18.6	3.6	12.7	10	12.4	10.2	2.5	5.0	100
PC 06-M6C			M6*1.0p	18.9	4.1		10			6.0	100	
PC 06-01C			R 1/8	18.9	8.0		10			7.0	100	