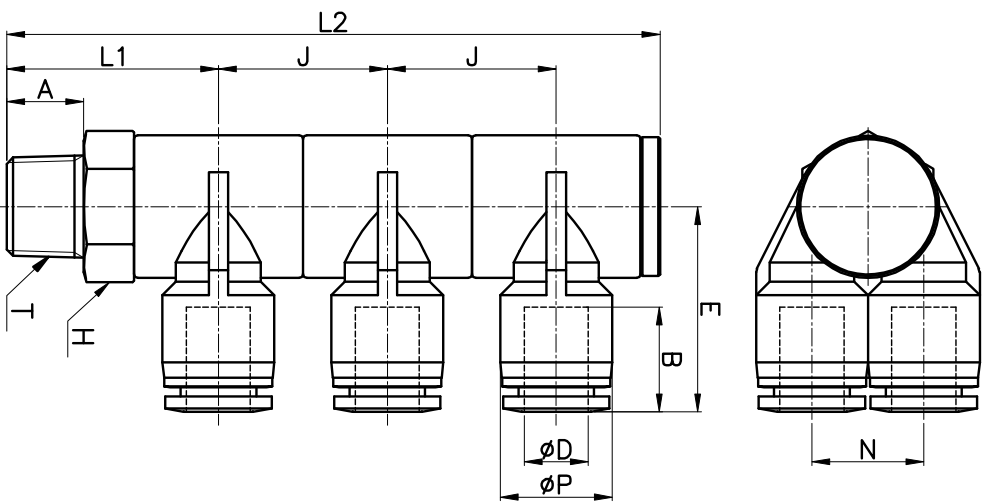


PAT(3)



MODEL	ØD	ØP	T	L1	L2	N	E	A	B	J	H (Hex)	ORIFICE	WEIGHT (g)	BOX(EA)
PAT 04-01(3)	4	10.5	R 1/8	22.5	69.7	10.5	21.4	8.0	14.8	17.9	14	3.2	53.0	20
PAT 04-02(3)			R 1/4	27.5	84.7		22.9	10.0		21.9	17		80.0	20
PAT 04-03(3)			R 3/8	29.0	86.7		26.1	11.0		21.9	21		122.0	12
PAT 04-04(3)			R 1/2	34.1	97.3		27.7	14.0		23.9	24		187.0	8
PAT 06-01(3)	6	12.5	R 1/8	22.5	69.7	12.5	22.9	8.0	16.4	17.9	14	4.0	64.0	12
PAT 06-02(3)			R 1/4	27.5	84.7		24.8	10.0		21.9	17		86.0	9
PAT 06-03(3)			R 3/8	29.0	86.7		26.6	11.0		21.9	21		126.0	9
PAT 06-04(3)			R 1/2	34.1	97.3		28.6	14.0		23.9	24		181.0	6
PAT 08-01(3)			R 1/8	22.5	69.7		24.8	8.0		17.9	14		64.0	9
PAT 08-02(3)			R 1/4	27.5	84.7		26.6	10.0		21.9	17		92.0	9
PAT 08-03(3)	8	14.5	R 3/8	29.0	86.7	14.5	28.2	11.0	18.3	21.9	21	6.0	135.0	6
PAT 08-04(3)			R 1/2	34.1	97.3		30.3	14.0		23.9	24		200.0	6
PAT 10-01(3)			R 1/8	22.5	69.7		26.7	8.0		17.9	14		80.0	8
PAT 10-02(3)			R 1/4	27.5	84.7		28.2	10.0		21.9	17		106.0	8
PAT 10-03(3)	10	17.5	R 3/8	29.0	86.7	17.5	30.2	11.0	20.2	21.9	21	6.0	144.0	6
PAT 10-04(3)			R 1/2	34.1	97.3		32.6	14.0		23.9	24		213.0	6
PAT 12-02(3)			R 1/4	27.5	84.7		31.1	10.0		21.9	17		123.0	6
PAT 12-03(3)			R 3/8	29.0	86.7		32.9	11.0		21.9	21		165.0	4
PAT 12-04(3)			R 1/2	34.1	97.3		35.2	14.0		23.9	24		220.0	4