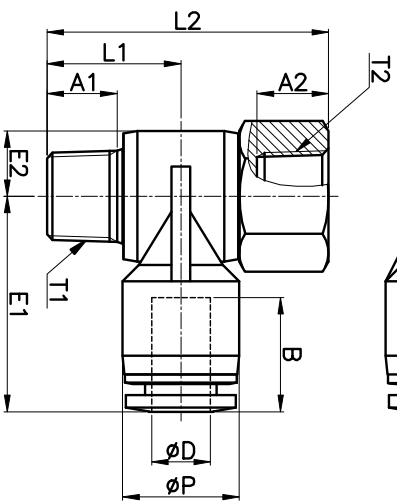
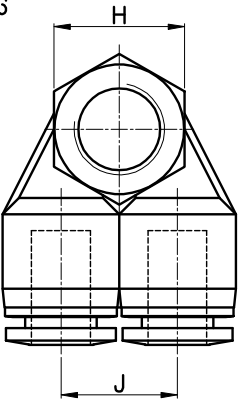


PAF



MODEL	ØD	ØP	T1	T2	L1	L2	J	E1	E2	A1	A2	B	H (Hex)	ORIFICE	WEIGHT (g)	BOX(EA)
PAF 04-M5	4	10.3	M5*0.8p	M5*0.8p	10.3	20.0	10.3	19.4	5.0	3.6	6.0	14.8	8	2.0	8.0	50
PAF 06-01	6	12.5	R 1/8	Rc 1/8	14.9	30.7	12.5	23.1	7.0	8.0	9.0	16.4	14	3.5	22.0	25
PAF 08-02	8	14.8	R 1/4	Rc 1/4	18.3	35.5	14.8	27.9	9.0	10.0	11.0	18.3	17	6.5	38.0	25
PAF 10-02	10	17.5	R 1/4	Rc 1/4	19.7	35.5	17.5	30.9	9.0	10.0	11.0	20.2	17	5.1	39.0	25
PAF 10-03	10	17.5	R 3/8	Rc 3/8	20.6	41.2	17.5	30.9	11.3	11.0	13.0	20.2	21	7.2	61.0	20
PAF 12-03	12	20.5	R 3/8	Rc 3/8	22.1	41.2	20.5	35.8	11.3	11.0	13.0	22.4	21	6.8	70.0	12
PAF 12-04	12	20.5	R 1/2	Rc 1/2	25.2	49.5	20.5	36.3	14.0	14.0	15.0	22.4	24	6.8	92.0	12