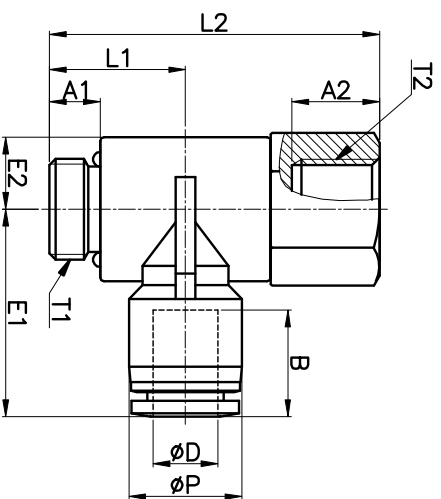
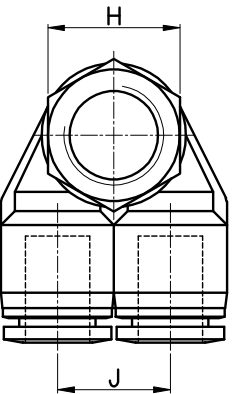


PAF-G



MODEL	ØD	ØP	T1	T2	L1	L2	J	E1	E2	A1	A2	B	H (Hex)	ORIFICE	WEIGHT (g)	BOX(EA)
PAF 06-G01	6	12.5	G 1/8	G 1/8	14.0	33.9	12.5	22.9	7.7	5.0	9.0	16.4	14	4.0	22.0	25
PAF 08-G02	8	14.5	G 1/4	G 1/4	17.5	42.4	14.5	26.6	9.3	6.5	12.0	18.3	17	6.0	38.0	25
PAF 10-G02	10	17.5	G 1/4	G 1/4	17.5	42.4	17.5	28.2	9.3	6.5	12.0	20.2	17	8.0	39.0	25
PAF 10-G03	10	17.5	G 3/8	G 3/8	17.5	44.4	17.5	30.2	11.2	6.5	13.0		21	6.0	61.0	20
PAF 12-G03	12	20.5	G 3/8	G 3/8	17.5	44.4	20.5	32.9	11.2	6.5	13.0	22.9	21	8.0	70.0	12
PAF 12-G04	12	20.5	G 1/2	G 1/2	20.0	49.9	20.5	35.2	13.4	8.1	16.0		24	8.0	92.0	12