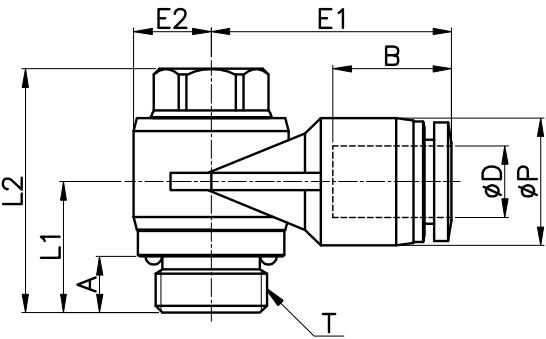
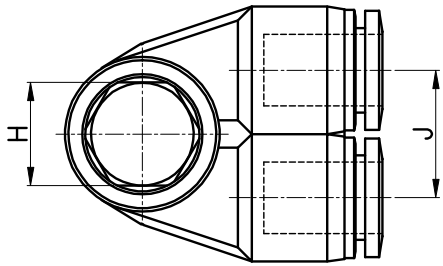


PA-G



MODEL	ϕD	ϕP	T	L1	L2	J	E1	E2	A	B	H (Hex)	ORIFICE	WEIGHT (g)	BOX(EA)
PA 06-G01	6	12.5	G 1/8	14.3	24.7	12.5	23.1	7.0	5.0	16.4	8	3.5	20.0	25
PA 08-G02	8	14.8	G 1/4	15.2	28.3	14.8	27.9	9.0	6.5	18.3	12	6.5	30.0	25
PA 10-G02	10	17.5	G 1/4	16.9	28.3	17.5	30.9	9.0	6.5	20.2	12	5.1	34.0	25
PA 10-G03			G 3/8	19.1	33.0		30.9	11.3	6.5		14	7.2	58.0	20
PA 12-G03	12	20.5	G 3/8	17.6	33.0	20.5	35.8	11.3	6.5	22.4	14	6.8	61.0	12
PA 12-G04			G 1/2	20.9	37.7		36.3	14.0	8.0		19	6.8	87.0	12