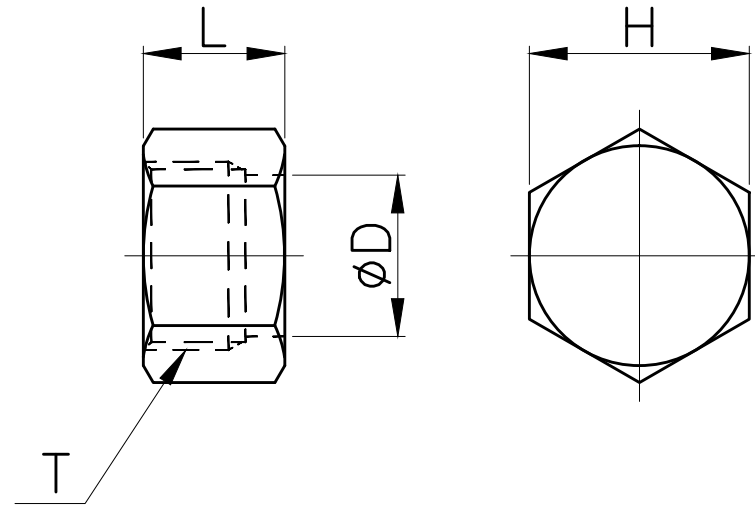


NUT



MODEL	ϕD	L	T	H (Hex)	WEIGHT (g)	BOX(EA)
Nut 04	5.1	9.0	M8*0.75p	10	3.0	100
Nut 06	6.2	9.0	M10*1.0p	12	5.0	100
Nut 08	9.2	9.0	M12*1.0p	14	6.0	100
Nut 10	11.4	10.0	M15*1.0p	17	9.0	100
Nut 12	13.3	11.0	M17*1.0p	19	10.0	100
Nut 16	17.3	13.0	M22*1.0p	27	32.0	50