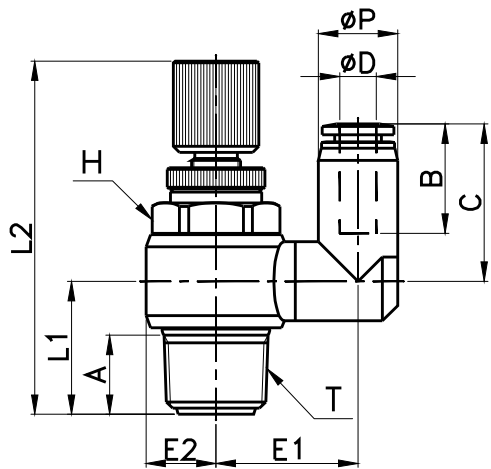


# NSSP



MODEL	øD	øP	T	L1	L2		E1	E2	A	B	H (Hex)	C	WEIGHT (g)
					MIN	MAX							
NSSP 04-01	4	10.5	R 1/8	15.1	52.4	57.6	14.3	7.0	8.2	14.8	11	20.3	28.5
NSSP 04-02			R 1/4	18.4	51.3	57.1	17.8	9.2	11.0		15	20.3	40.3
NSSP 06-01	6	12.5	R 1/8	15.6	52.4	57.6	15.0	7.0	8.2	16.4	11	24.0	29.9
NSSP 06-02			R 1/4	18.4	51.3	57.1	20.3	9.2	11.0		15	25.9	42.8
NSSP 06-03			R 3/8	21.9	57.0	64.4	23.3	11.5	12.2		19	25.9	65.9
NSSP 08-01	8	14.8	R 1/8	15.6	52.4	57.6	16.2	7.0	8.2	18.3	11	24.9	30.9
NSSP 08-02			R 1/4	18.4	51.3	57.1	19.3	9.2	11.0		15	28.3	43.9
NSSP 08-03			R 3/8	22.4	57.0	64.4	24.6	11.5	12.2		19	29.3	67.0
NSSP 08-04			R 1/2	26.6	63.4	70.6	26.6	14.3	16.5		24	29.3	104.8
NSSP 10-02	10	17.5	R 1/4	18.4	51.3	57.1	20.3	9.2	11.0	20.2	15	30.7	44.1
NSSP 10-03			R 3/8	22.4	57.0	64.4	24.6	11.5	12.2		19	31.7	68.8
NSSP 10-04			R 1/2	26.7	63.4	70.6	26.7	14.3	16.5		24	33.1	108.0
NSSP 12-02	12	20.5	R 1/4	18.4	51.3	57.1	21.8	9.2	11.0	22.9	15	33.4	46.0
NSSP 12-03			R 3/8	22.4	57.0	64.4	24.6	11.5	12.2		19	34.4	75.1
NSSP 12-04			R 1/2	26.7	63.4	70.6	26.7	14.3	16.5		24	35.8	110.8