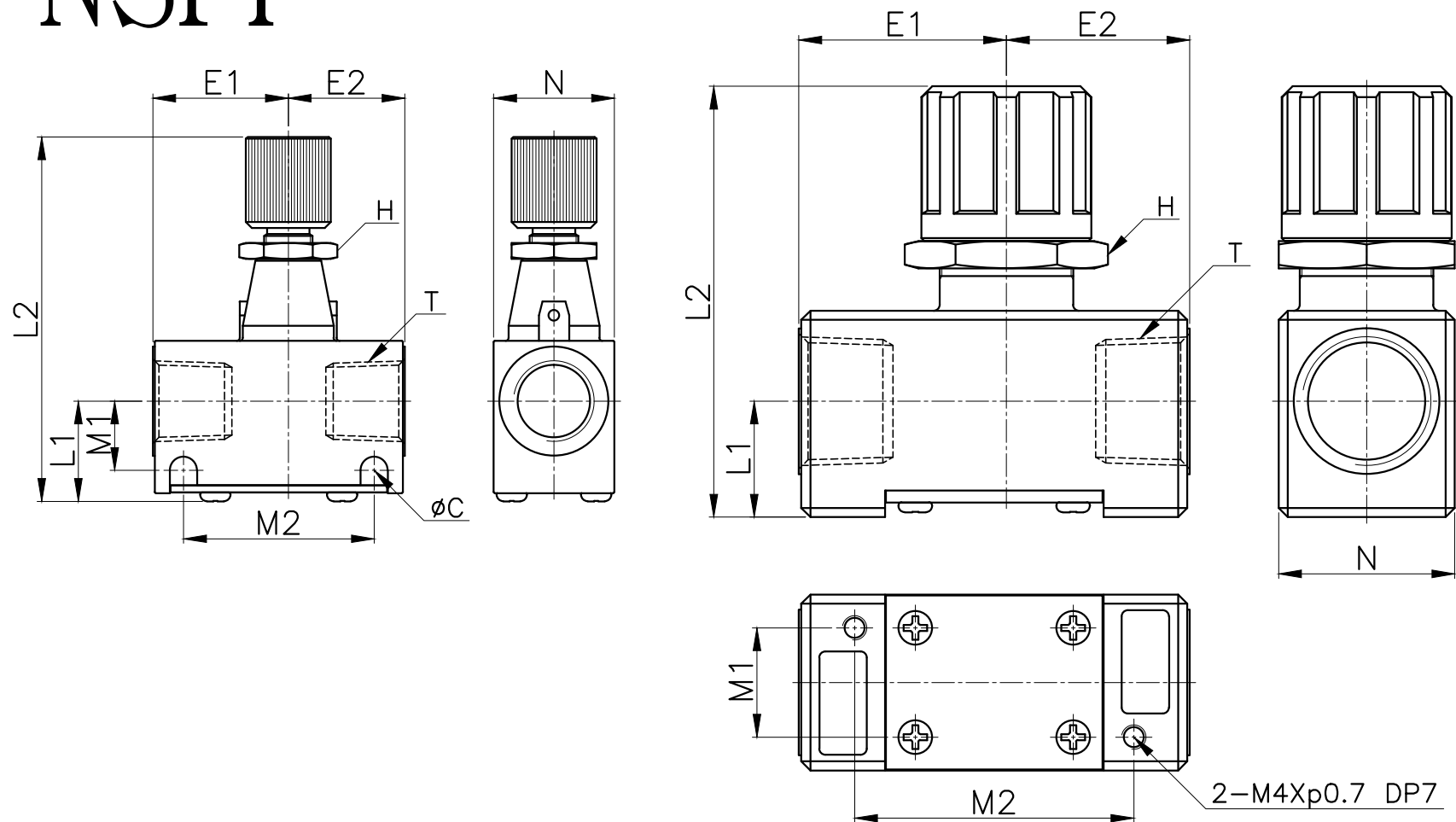


NSFP



MODEL	T	L1	L2		E1	E2	N	øC	H (Hex)	M1	M2	WEIGHT (g)
			MIN	MAX								
NSFP 01	Rc1/8	15.5	57.2	62.2	22.2	16.1	16.0	4.5	12	10.1	28.8	86.8
NSFP 02	Rc1/4	17.1	60.3	65.5	22.3	19.2	19.9	4.5	14	11.4	31.4	118.8
NSFP 03	Rc3/8	20.5	70.3	77.9	31.3	24.7	26.0	5.4	14	13.1	45.2	120.6
NSFP 04	Rc1/2	19.1	71.0	80.6	34.2	30.2	29.0	-	29	18.0	46.0	183.3