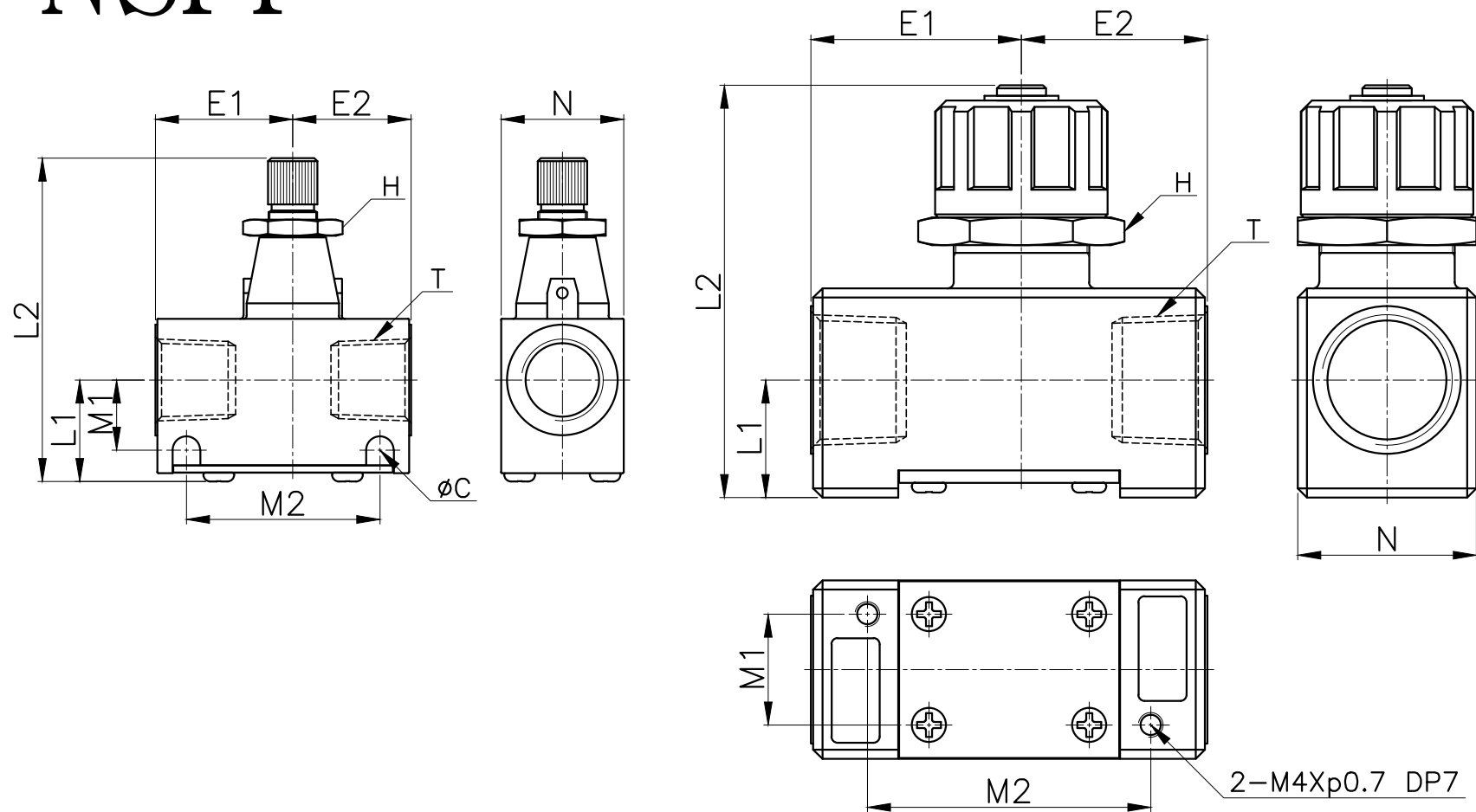


# NSFF



MODEL	T	L1	L2		E1	E2	N	øC	H (Hex)	M1	M2	WEIGHT (g)
			MIN	MAX								
NSFF 01	Rc1/8	15.5	49.8	54.8	22.2	16.1	16.0	4.5	12	10.1	28.8	84.9
NSFF 02	Rc1/4	17.1	52.5	57.7	22.3	19.2	19.9	4.5	12	11.4	31.4	116.9
NSFF 03	Rc3/8	20.5	62.1	69.7	31.3	24.7	26.0	5.4	12	13.1	45.2	118.8
NSFF 04	Rc1/2	19.1	67.4	77.0	34.2	30.2	29.0	—	29	18.0	46.0	176.9