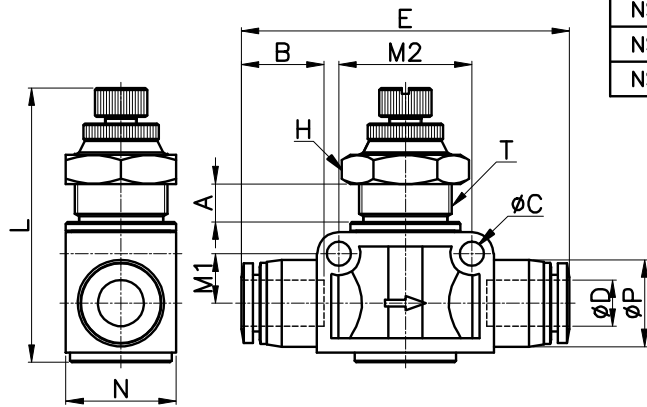


NSFB



MODEL	ϕD	ϕP	T	L		A	E	N	ϕC	B	H (Hex)	M1	M2	WEIGHT (g)	BOX(EA)
				MIN	MAX										
NSFB 04	4	11.0	M10xp1.0	35.3	37.9	5.0	42.0	12.0	3.2	14.8	12	5.4	15.4	18.0	50
NSFB 06	6	13.0	M14xp1.0	43.1	48.4	6.0	49.5	16.0	4.3	16.4	17	7.8	20.4	37.0	50
NSFB 08	8	15.0	M16xp1.0	46.7	53.1	6.0	56.5	19.0	4.3	18.3	19	8.5	23.0	67.0	25
NSFB 10	10	17.5	M18xp1.0	53.4	61.7	7.0	63.1	23.0	4.3	20.2	22	10.6	27.6	110.0	20
NSFB 12	12	20.5	M20xp1.0	57.4	64.6	7.0	73.5	26.5	4.4	22.9	24	11.9	32.4	151.0	15