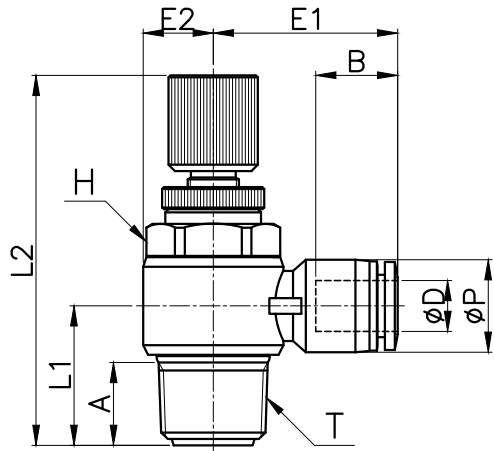


NSCP



MODEL	øD	øP	T	L1	L2		E1	E2	A	B	H (Hex)	WEIGHT (g)	BOX(EA)
					MIN	MAX							
NSCP 04-01	4	10.5	R 1/8	15.1	52.4	57.6	23.3	7.0	8.2	15.3	11	29.1	25
NSCP 04-02			R 1/4	18.4	51.3	57.1	25.3	9.0	11.0		15	40.2	25
NSCP 06-01	6	12.5	R 1/8	15.1	52.4	57.6	24.2	7.0	8.2	16.4	11	29.8	25
NSCP 06-02			R 1/4	18.4	51.3	57.1	26.2	9.0	11.0		15	41.1	25
NSCP 06-03			R 3/8	21.9	57.0	64.4	27.7	11.0	12.2		19	65.7	25
NSCP 06-04			R 1/2	26.5	63.4	70.6	30.8	14.0	16.5		24	103.0	15
NSCP 08-01	8	14.5	R 1/8	16.2	52.4	57.6	25.9	7.0	8.2	18.3	11	30.8	25
NSCP 08-02			R 1/4	19.2	51.3	57.1	27.9	9.0	11.0		15	42.1	25
NSCP 08-03			R 3/8	21.9	57.0	64.4	28.9	11.0	12.2		19	66.6	25
NSCP 08-04			R 1/2	26.5	63.4	70.6	31.8	14.0	16.5		24	103.8	15
NSCP 10-01	10	17.5	R 1/8	17.7	52.4	57.6	27.9	7.0	8.2	19.7	11	32.6	25
NSCP 10-02			R 1/4	20.7	51.3	57.1	29.9	9.0	11.0		15	43.9	25
NSCP 10-03			R 3/8	23.2	57.0	64.4	31.0	11.2	12.2		19	68.3	25
NSCP 10-04			R 1/2	26.5	63.4	70.6	33.4	14.0	16.5		24	105.5	15
NSCP 12-02	12	20.5	R 1/4	22.2	51.3	57.1	33.3	9.0	11.0	22.4	15	46.9	25
NSCP 12-03			R 3/8	24.0	57.0	64.4	33.7	11.5	12.2	21.9	19	71.1	25
NSCP 12-04			R 1/2	28.0	63.4	70.6	36.1	14.0	16.5		24	107.9	15