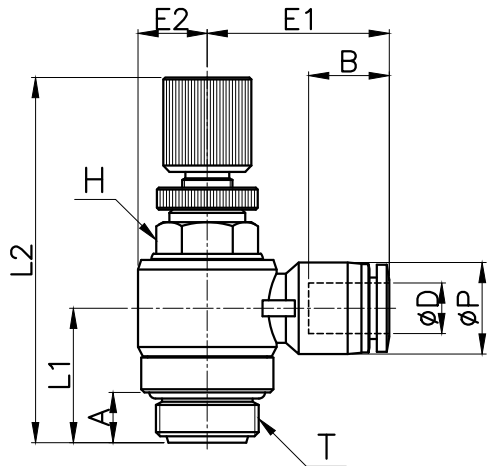


# NSCP-G



MODEL	øD	øP	T	L1	L2		E1	E2	A	B	H (Hex)	WEIGHT (g)	BOX(EA)
					MIN	MAX							
NSCP 04-G01	4	10.5	G 1/8	15.1	52.4	57.6	23.3	7.0	6.0	15.3	11	30.3	25
NSCP 04-G02			G 1/4	17.6	51.3	57.1	25.3	9.0	8.0		12	39.0	25
NSCP 06-G01	6	12.5	G 1/8	15.1	52.4	57.6	24.2	7.0	6.0	16.4	11	31.1	25
NSCP 06-G02			G 1/4	17.6	51.3	57.1	26.2	9.0	8.0		12	39.7	25
NSCP 06-G03			G 3/8	21.4	57.0	64.4	27.7	11.0	8.0		14	63.7	25
NSCP 06-G04			G 1/2	22.9	63.4	70.6	30.8	14.0	9.0		17	97.5	15
NSCP 08-G01	8	14.5	G 1/8	14.0	52.4	57.6	25.9	7.0	6.0	18.3	11	32.0	25
NSCP 08-G02			G 1/4	16.9	51.3	57.1	27.9	9.0	8.0		12	40.8	25
NSCP 08-G03			G 3/8	21.4	57.0	64.4	28.9	11.0	8.0		14	64.7	25
NSCP 08-G04			G 1/2	22.9	63.4	70.6	31.8	14.0	9.0		17	98.5	15
NSCP 10-G01	10	17.5	G 1/8	17.7	52.4	57.6	28.1	7.0	6.0	19.7	11	33.8	25
NSCP 10-G02			G 1/4	18.9	51.3	57.1	29.9	9.0	8.0		12	42.5	25
NSCP 10-G03			G 3/8	20.1	57.0	64.4	31.0	11.2	8.0		14	66.3	25
NSCP 10-G04			G 1/2	22.9	63.4	70.6	33.4	14.0	9.0		17	99.8	15
NSCP 12-G02	12	20.5	G 1/4	20.4	51.3	57.1	33.3	9.0	8.0	22.4	12	45.4	25
NSCP 12-G03			G 3/8	19.3	57.0	64.4	33.7	11.5	8.0	21.9	14	69.0	25
NSCP 12-G04			G 1/2	21.7	63.4	70.6	36.1	14.0	9.0		17	102.8	15