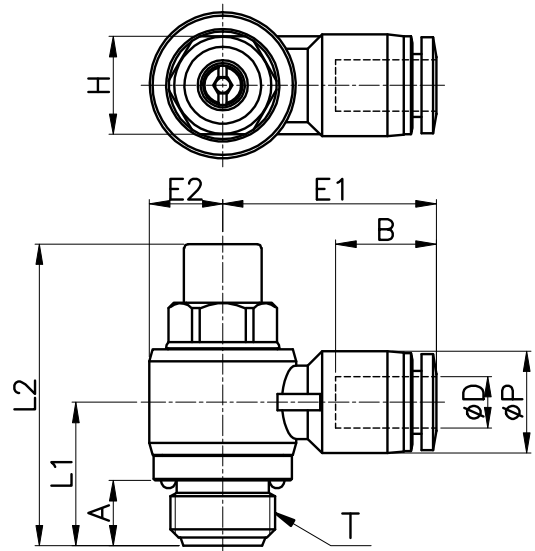


NSC-G-DC



MODEL	øD	øP	T	L1	L2	E1	E2	A	B	H (Hex)	WEIGHT (g)	BOX(EA)
NSC 04-G01(DC)	4	10.5	G 1/8	15.3	31.5	23.3	7.0	6.0	15.3	8	16.0	50
NSC 04-G02(DC)			G 1/4	17.6	37.0	25.3	9.0	8.0		12	35.0	50
NSC 06-G01(DC)	6	12.5	G 1/8	15.3	31.5	24.2	7.0	6.0	16.4	8	18.0	50
NSC 06-G02(DC)			G 1/4	17.6	37.0	26.2	9.0	8.0		12	33.0	50
NSC 06-G03(DC)			G 3/8	21.4	43.6	27.7	11.0	8.0		14	63.0	25
NSC 06-G04(DC)			G 1/2	22.9	50.0	30.8	14.0	9.0		17	108.0	20
NSC 08-G01(DC)	8	14.5	G 1/8	14.2	31.5	25.9	7.0	6.0	18.3	8	20.0	50
NSC 08-G02(DC)			G 1/4	16.9	37.0	27.9	9.0	8.0		12	34.0	50
NSC 08-G03(DC)			G 3/8	21.4	43.6	28.9	11.0	8.0		14	64.0	25
NSC 08-G04(DC)			G 1/2	22.9	50.0	31.8	14.0	9.0		17	100.0	20
NSC 10-G01(DC)	10	17.5	G 1/8	12.7	31.5	27.9	7.0	6.0	19.7	8	26.0	25
NSC 10-G02(DC)			G 1/4	16.4	37.0	29.9	9.0	8.0		12	38.0	25
NSC 10-G03(DC)			G 3/8	20.1	43.6	31.0	11.2	8.0		14	63.0	25
NSC 10-G04(DC)			G 1/2	22.9	50.0	33.4	14.0	9.0		17	103.0	20
NSC 12-G02(DC)	12	20.5	G 1/4	14.9	37.0	33.3	9.0	8.0	22.4	12	42.0	25
NSC 12-G03(DC)			G 3/8	19.3	43.6	33.7	11.5	8.0	21.9	14	65.0	25
NSC 12-G04(DC)			G 1/2	21.6	50.0	36.1	14.0	9.0		17	104.0	20