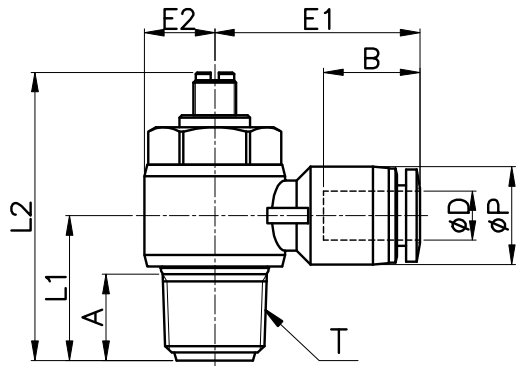
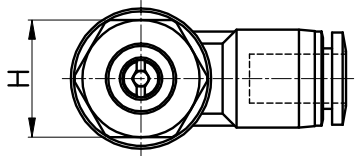


NSC-D



MODEL	øD	øP	T	L1	L2		E1	E2	A	B	H (Hex)	WEIGHT (g)	BOX(EA)
					MIN	MAX							
NSC 03-M5(D)	3	7.8	M5*0.8p	9.6	20.4	22.9	16.5	5.0	3.6	11.3	8	8.0	50
NSC 04-M5(D)	4	10.5	M5*0.8p	10.3	20.4	22.9	20.2	5.0	3.6	14.8	8	9.0	50
NSC 04-01(D)			R 1/8	15.1	26.7	31.2	23.3	7.0	8.2	15.3	11	20.0	50
NSC 04-02(D)			R 1/4	18.4	31.3	37.4	25.3	9.0	11.0	15	36.0	50	
NSC 06-M5(D)	6	12.5	M5*0.8p	11.4	20.4	22.9	22.7	5.0	3.6	16.4	8	10.0	50
NSC 06-01(D)			R 1/8	15.1	26.7	31.2	24.2	7.0	8.2		11	21.0	50
NSC 06-02(D)			R 1/4	18.4	31.3	37.4	26.2	9.0	11.0		15	37.0	50
NSC 06-03(D)			R 3/8	21.9	37.0	42.9	27.7	11.0	12.2		19	70.0	25
NSC 06-04(D)			R 1/2	26.5	43.0	49.3	30.8	14.0	16.5		24	108.0	20
NSC 08-01(D)	8	14.5	R 1/8	16.2	26.7	31.2	25.9	7.0	8.2	18.3	11	22.0	50
NSC 08-02(D)			R 1/4	19.2	31.3	37.4	27.9	9.0	11.0		15	38.0	50
NSC 08-03(D)			R 3/8	21.9	37.0	42.9	28.9	11.0	12.2		19	71.0	25
NSC 08-04(D)			R 1/2	26.5	43.0	49.3	31.8	14.0	16.5		24	109.0	20
NSC 10-01(D)	10	17.5	R 1/8	17.7	26.7	31.2	27.9	7.0	8.2	19.7	11	26.0	25
NSC 10-02(D)			R 1/4	20.7	31.3	37.4	29.9	9.0	11.0		15	42.0	25
NSC 10-03(D)			R 3/8	23.2	37.0	42.9	31.0	11.2	12.2		19	73.0	25
NSC 10-04(D)			R 1/2	26.5	43.0	49.3	33.4	14.0	16.5		24	110.0	20
NSC 12-02(D)	12	20.5	R 1/4	22.2	31.3	37.4	33.3	9.0	11.0	22.4	15	45.0	25
NSC 12-03(D)			R 3/8	24.0	37.0	42.9	33.7	11.5	12.2	21.9	19	75.0	25
NSC 12-04(D)			R 1/2	28.0	43.0	49.3	36.1	14.0	16.5		24	113.0	20