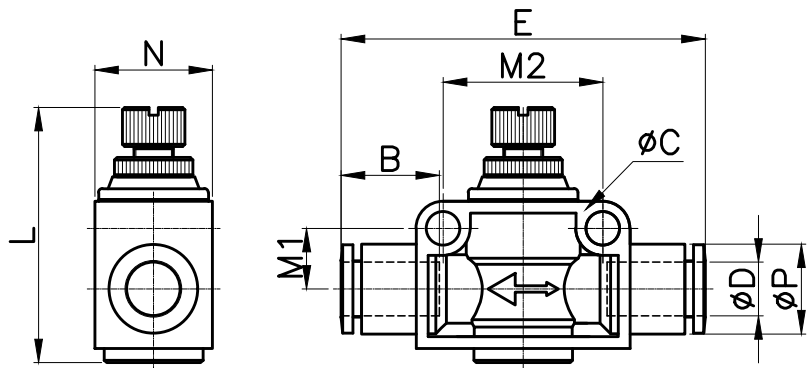


MSF



MODEL	øD	øP	L		E	N	øC	B	M1	M2
			MIN	MAX						
MSF 04	4	9.5	26.4	28.9	38.8	11.0	3.2	13.4	5.4	15.4
MSF 06	6	11.5	33.5	37.9	46.5	15.0	4.3	15.0	7.8	20.4
MSF 08	8	13.6	35.5	41.5	53.1	18.0	4.3	17.1	8.5	23.0
MSF 10	10	16.4	40.7	48.7	60.4	22.5	4.3	18.9	10.6	27.6
MSF 12	12	19.5	45.0	53.5	70.8	26.5	4.3	21.4	11.9	32.4