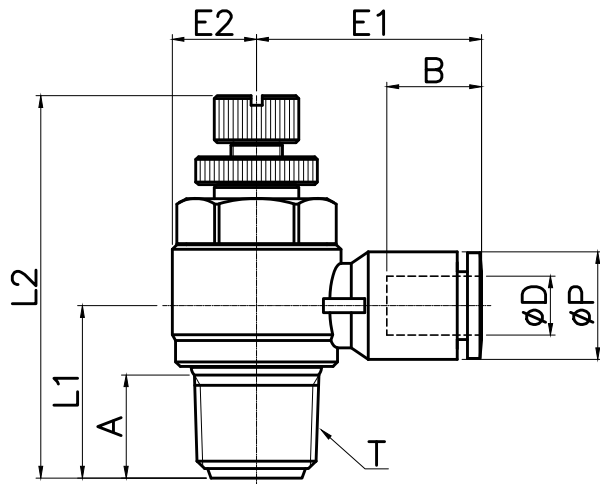
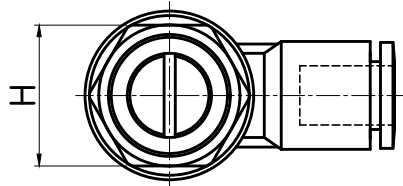


MSC



MODEL	ϕD	ϕP	T	L1	L2		E1	E2	A	B	H (Hex)
					MIN	MAX					
MSC 04-M5	4	9.3	M5*0.8p	10.2	27.1	29.1	17.8	4.9	3.6	12.9	8
MSC 04-01			R 1/8	15.0	35.5	40.7	20.0	7.1	8.2		11
MSC 04-02			R 1/4	18.3	40.3	46.6	21.9	9.0	11.0		15
MSC 06-M5	6	11.5	M5*0.8p	11.3	27.1	29.1	20.9	4.9	3.6	15.0	8
MSC 06-01			R 1/8	15.1	35.5	40.7	22.1	7.1	8.2		11
MSC 06-02			R 1/4	18.3	40.3	46.6	24.0	9.0	11.0		15
MSC 06-03			R 3/8	21.7	46.9	54.9	26.1	11.1	12.2		19
MSC 06-04			R 1/2	26.4	54.0	60.1	28.8	13.8	16.5		24
MSC 08-01	8	13.6	R 1/8	16.2	35.5	40.7	24.2	7.1	8.2	17.1	11
MSC 08-02			R 1/4	19.2	40.3	46.6	26.1	9.0	11.0		15
MSC 08-03			R 3/8	21.7	46.9	54.9	28.2	11.1	12.2		19
MSC 08-04			R 1/2	26.4	54.0	60.1	30.9	13.8	16.5		24
MSC 10-01	10	16.4	R 1/8	17.6	35.5	40.7	26.8	7.1	8.2	18.4	11
MSC 10-02			R 1/4	20.6	40.3	46.6	28.6	9.0	11.0		15
MSC 10-03			R 3/8	23.0	46.9	54.9	29.5	11.1	12.2		19
MSC 10-04			R 1/2	26.4	54.0	60.1	32.2	13.8	16.5		24
MSC 12-02	12	19.5	R 1/4	22.1	40.3	46.6	30.9	9.0	11.0	20.4	15
MSC 12-03			R 3/8	23.8	46.9	54.9	32.7	11.1	12.2		19
MSC 12-04			R 1/2	27.9	54.0	60.1	35.2	13.8	16.5		21.4