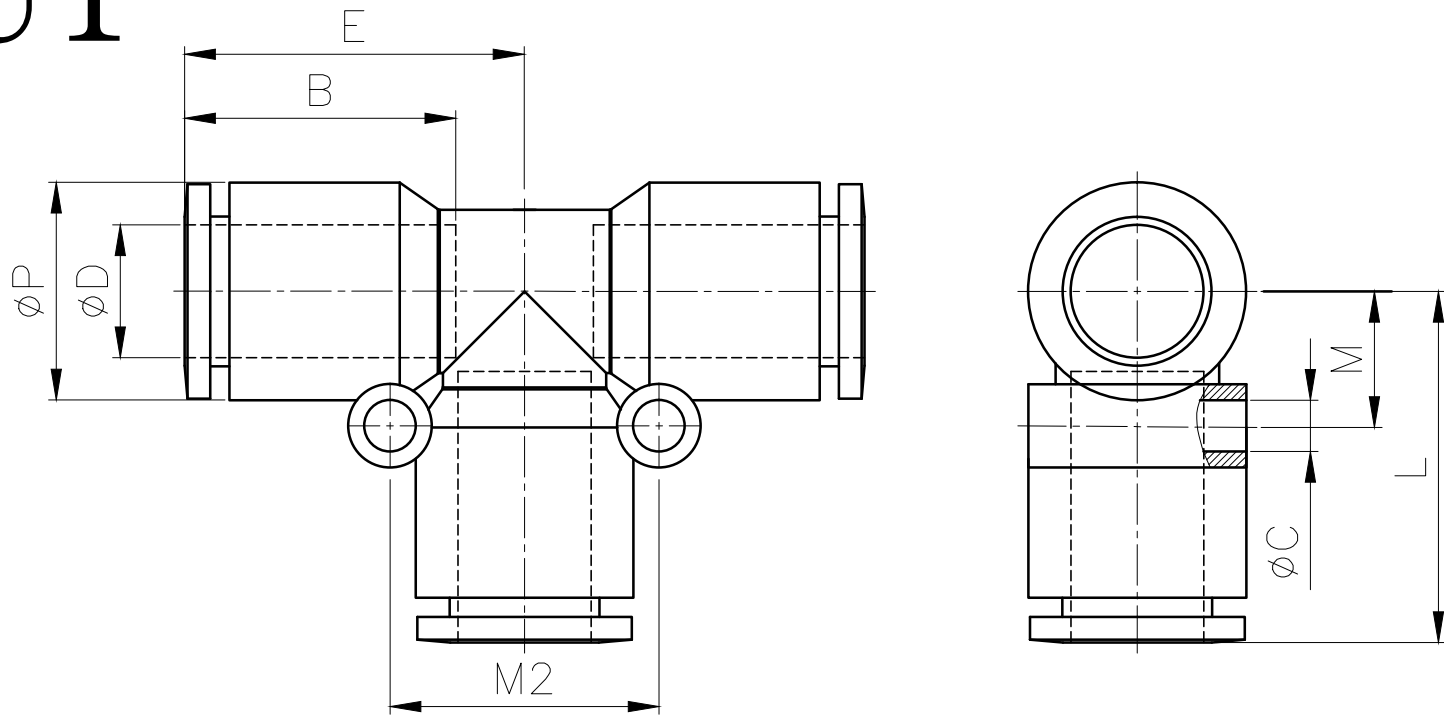


MPUT



MODEL	ϕD	ϕP	L	E	ϕC	B	M1	M2	ORIFICE	WEIGHT (g)	BOX (ea)
MPUT 04	4	9.3	15.5	15.5	3.2	13.0	6.3	12.6	3.5	2.6	100
MPUT 06	6	11.5	18.9	18.9	3.2	15.0	7.4	14.8	5.0	4.2	50
MPUT 08	8	13.6	21.9	21.9	3.2	16.9	8.4	16.8	7.0	5.8	50
MPUT 10	10	16.4	25.1	25.1	4.2	18.9	10.3	20.6	9.0	9.5	25
MPUT 12	12	19.5	28.8	28.8	4.2	21.4	11.9	23.8	11.0	14.9	25