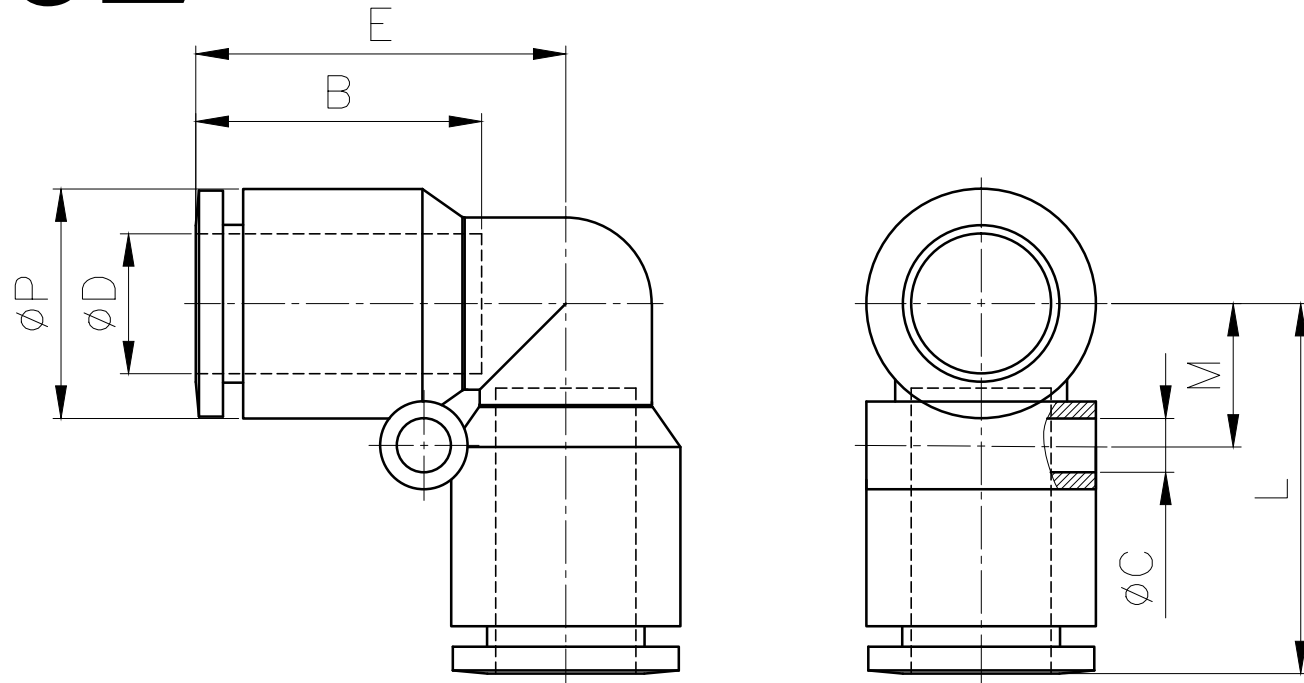


MPUL



MODEL	ϕD	ϕP	L	E	ϕC	B	M	ORIFICE	WEIGHT (g)	BOX (ea)
MPUL 04	4	9.3	15.5	15.5	3.2	13.0	6.3	3.5	1.7	100
MPUL 06	6	11.5	18.9	18.9	3.2	15.0	7.4	5.0	2.8	100
MPUL 08	8	13.6	21.9	21.9	3.2	16.9	8.4	7.0	4.2	50
MPUL 10	10	16.4	25.1	25.1	4.2	18.9	10.3	9.0	6.5	50
MPUL 12	12	19.5	28.8	28.8	4.2	21.4	11.9	11.0	10.4	25