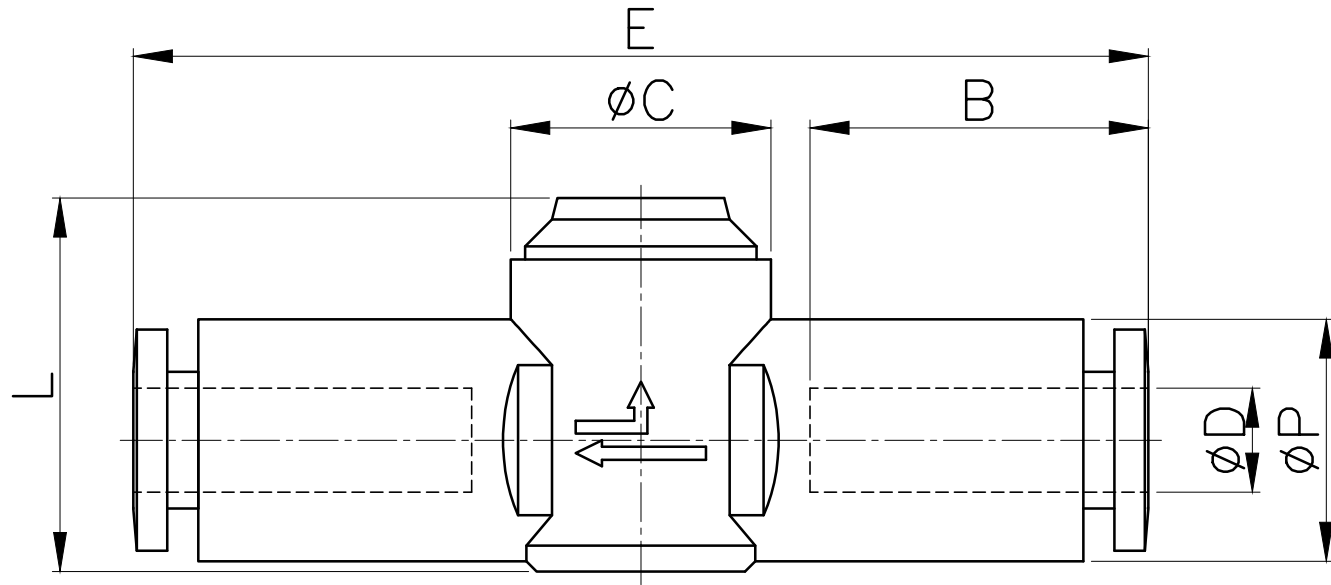


MEVU



MODEL(mm)	∅D	B (TUBE DEEP)	∅P	L	E	∅C	WEIGHT (g)	EA (BOX)
MEVU 04	04	13.0	9.3	14.4	39.0	10.0	4.5	—
MEVU 06	06	14.5	11.5	15.9	41.7	10.0	5.5	—