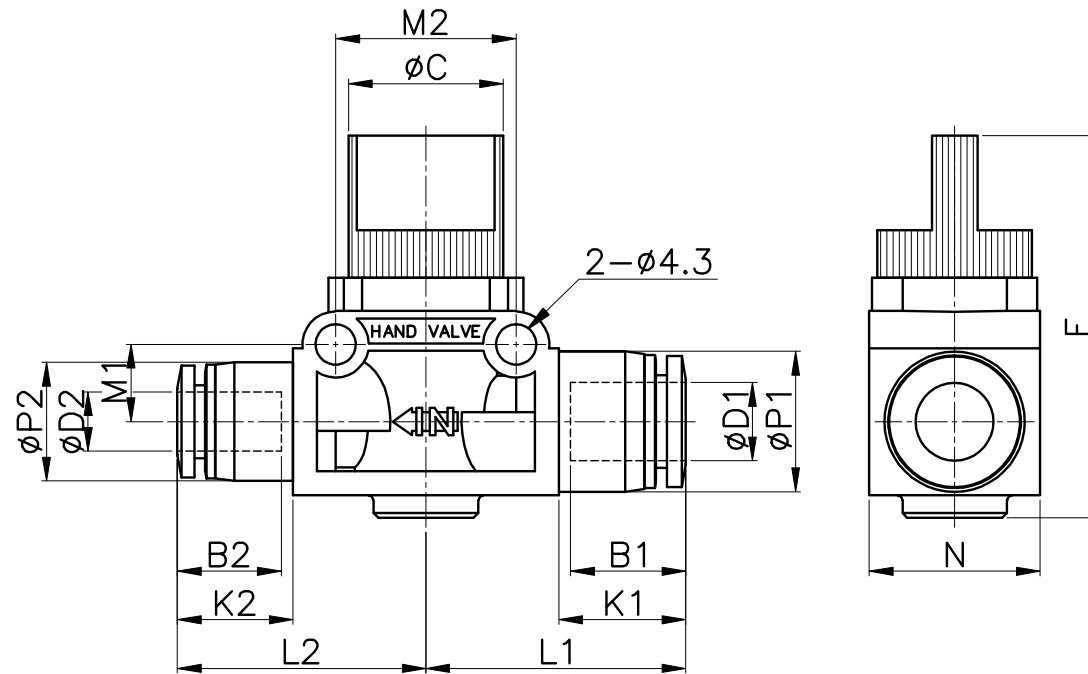


# HVU



MODEL	$\phi D1$	$\phi D2$	$\phi P1$	$\phi P2$	$\phi C$	N	E	B1	B2	K1	K2	L1	L2	M1	M2	WEIGHT (g)	BOX(EA)
HVU 06-06	6	6	12.5	12.5	16.3	18.0	40.3	16.4	16.4	12.2	12.2	26.2	26.2	8.2	19.0	27.0	25
HVU 08-06	8	6	14.8	12.5	16.3	18.0	40.3	18.3	16.4	13.4	12.2	27.4	26.2	8.2	19.0	27.0	25
HVU 08-08		8		14.8					18.3				13.4			27.4	
HVU 10-08	10	8	17.5	14.8	19.3	21.2	40.5	20.2	18.3	14.5	13.4	31.0	27.4	10.9	24.0	41.0	20
HVU 10-10		10		17.5					20.2				14.5			31.0	
HVU 12-10	12	10	20.5	17.5	19.3	21.2	40.5	22.9	20.2	17.6	14.5	34.1	31.0	10.9	24.0	45.0	20
HVU 12-12		12		20.5					22.9				17.6			34.1	