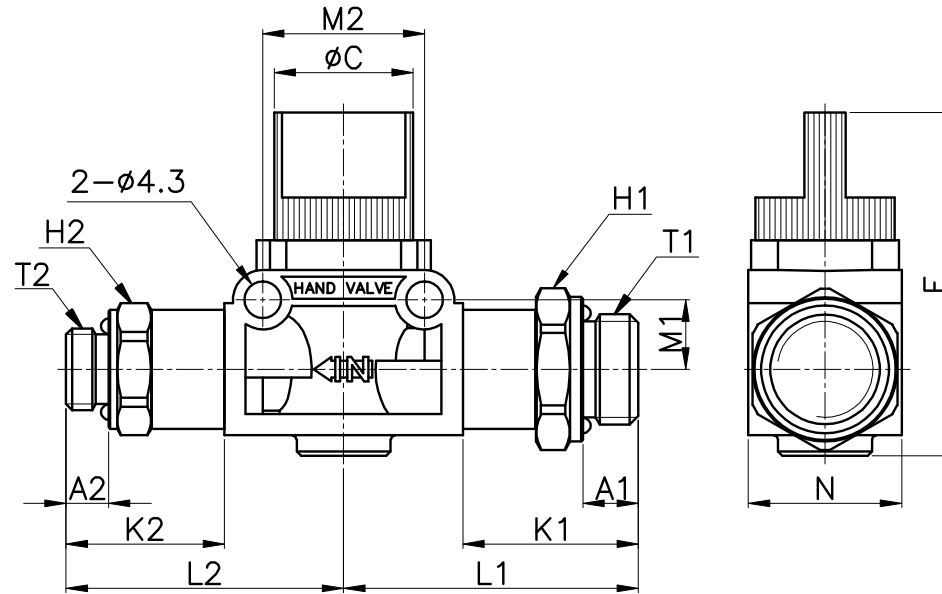


HVM-G



MODEL	T1	T2	H1 (Hex)	H2 (Hex)	ϕC	N	E	A1	A2	K1	K2	L1	L2	M1	M2	WEIGHT (g)	BOX(EA)
HVM G01-G01	G 1/8	G 1/8	14	14	16.3	18.0	40.3	5.0	5.0	18.6	18.6	32.6	32.6	8.2	19.0	47.0	25
HVM G02-G01	G 1/4	G 1/8	17	14	16.3	18.0	40.3	6.5	5.0	20.6	18.6	34.6	32.6	8.2	19.0	49.0	25
HVM G02-G02		G 1/4		17					6.5		20.6		34.6			50.0	25
HVM G03-G02	G 3/8	G 1/4	20	17	19.3	21.2	40.5	6.5	6.5	18.5	20.6	35.0	34.6	10.9	24.0	64.0	15
HVM G03-G03		G 3/8		20					6.5		18.5		35.0			83.0	15
HVM G04-G03	G 1/2	G 3/8	24	20	19.3	21.2	40.5	8.0	6.5	21.6	18.5	38.1	35.0	10.9	24.0	103.0	15
HVM G04-G04		G 1/2		24					8.0		21.6		38.1			121.0	15