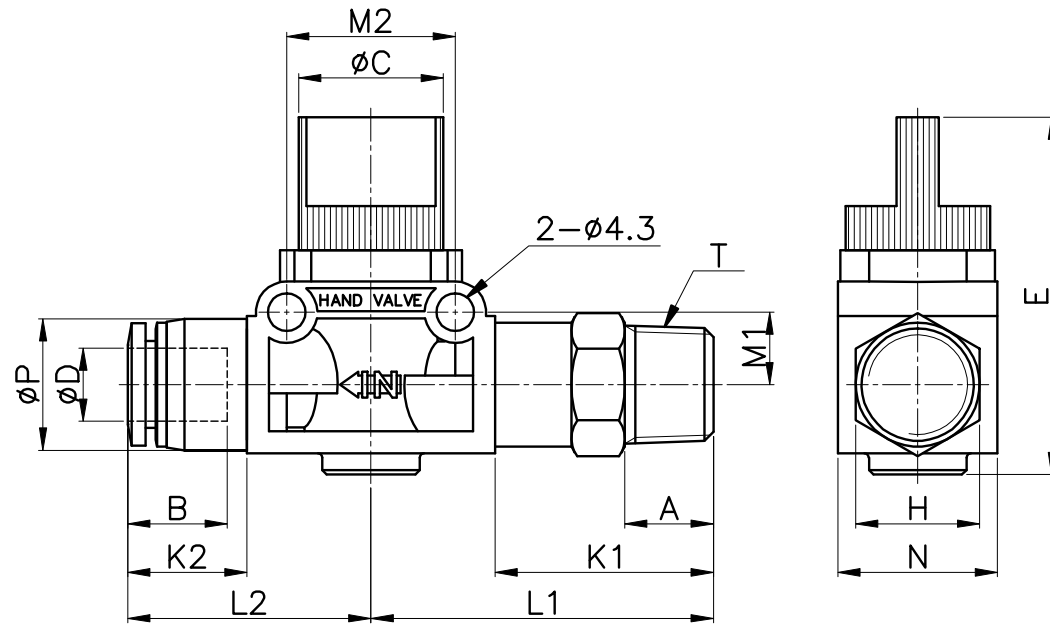


HVF



MODEL	T	øD	H (Hex)	øP	øC	N	E	A	B	K1	K2	L1	L2	M1	M2	WEIGHT (g)	BOX(EA)
HVF 01-06	R 1/8	6	14	12.5	16.3	18.0	40.3	8.0	16.4	21.6	12.2	35.6	26.2	8.2	19.0	37.0	25
HVF 02-06	R 1/4		14					10.0		24.6		38.6					
HVF 03-06	R 3/8		17					11.0		25.6		39.6					
HVF 01-08	R 1/8	8	14	14.8	16.3	18.0	40.3	8.0	18.3	21.6	13.4	35.6	27.4	8.2	19.0	35.0	25
HVF 02-08	R 1/4		14					10.0		24.6		38.6					
HVF 03-08	R 3/8		17					11.0		25.6		39.6					
HVF 02-10	R 1/4	10	17	17.5	19.3	21.2	40.5	10.0	20.2	23.0	14.5	39.5	31.0	10.9	24.0	58.0	20
HVF 03-10	R 3/8		17					11.0		24.0		40.5					
HVF 04-10	R 1/2		21					14.0		27.0		43.5					
HVF 02-12	R 1/4	12	19	20.5	19.3	21.2	40.5	10.0	22.9	24.6	17.6	41.1	34.1	10.9	24.0	69.0	20
HVF 03-12	R 3/8		19					11.0		25.6		42.1					
HVF 04-12	R 1/2		21					14.0		28.6		45.1					