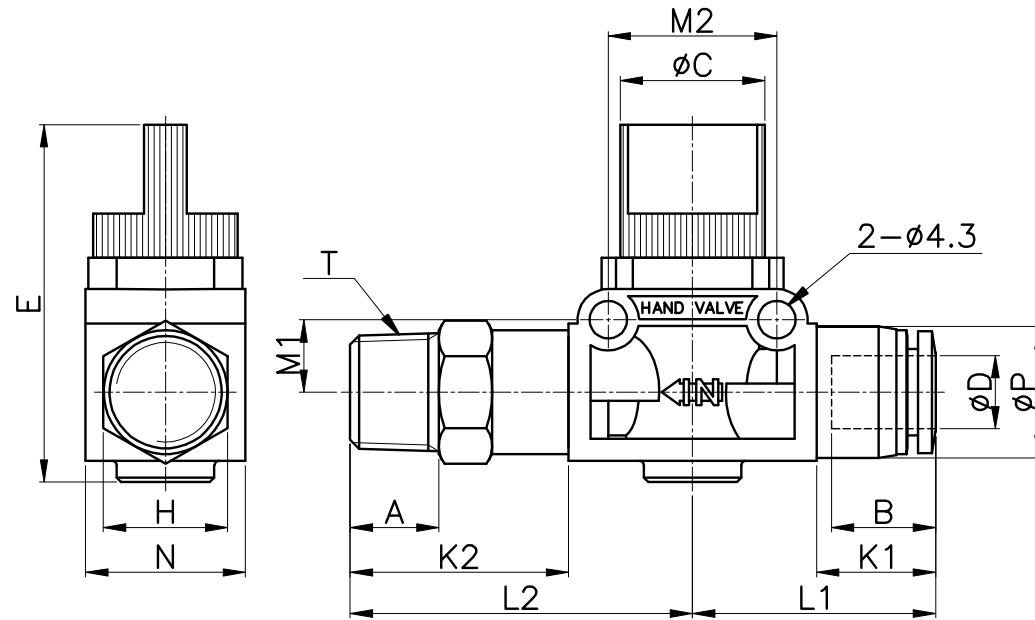


HVC



MODEL	ØD	T	ØP	H (Hex)	ØC	N	E	B	A	K1	K2	L1	L2	M1	M2	WEIGHT (g)	BOX(EA)
HVC 06-01	6	R 1/8	12.5	14	16.3	18.0	40.3	16.4	8.0	12.2	21.6	26.2	35.6	8.2	19.0	37.0	25
HVC 06-02		R 1/4		14					10.0		24.6		38.6				
HVC 06-03		R 3/8		17					11.0		25.6		39.6				
HVC 08-01	8	R 1/8	14.8	14	16.3	18.0	40.3	18.3	8.0	13.4	21.6	27.4	35.6	8.2	19.0	35.0	25
HVC 08-02		R 1/4		14					10.0		24.6		38.6				
HVC 08-03		R 3/8		17					11.0		25.6		39.6				
HVC 10-02	10	R 1/4	17.5	17	19.3	21.2	40.5	20.2	10.0	14.5	23.0	31.0	39.5	10.9	24.0	58.0	20
HVC 10-03		R 3/8		17					11.0		24.0		40.5				
HVC 10-04		R 1/2		21					14.0		27.0		43.5				
HVC 12-02	12	R 1/4	20.5	19	19.3	21.2	40.5	22.9	10.0	17.6	24.6	34.1	41.1	10.9	24.0	69.0	20
HVC 12-03		R 3/8		19					11.0		25.6		42.1				
HVC 12-04		R 1/2		21					14.0		28.6		45.1				