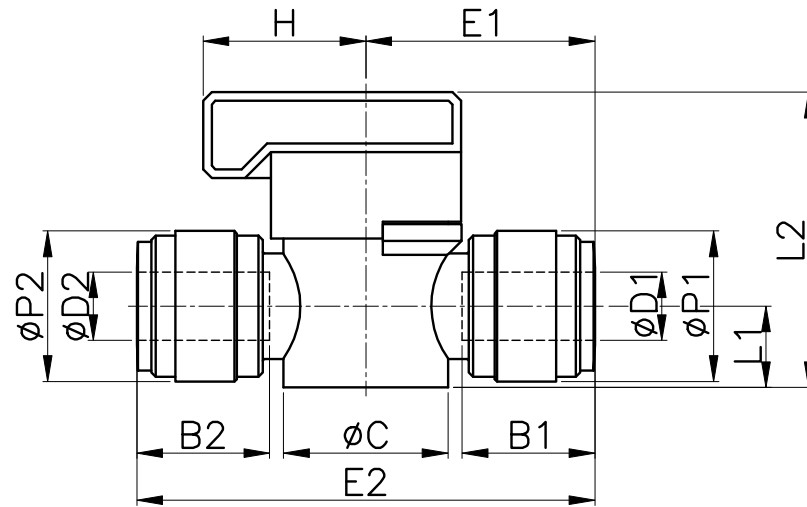


# HBVU



MODEL(mm)	$\phi D1$	$\phi D2$	B1 (TUBE DEEP)	B2 (TUBE DEEP)	$\phi P1$	$\phi P2$	L1	L2	E1	E2	H	$\phi C$	WEIGHT (g)	EA (BOX)
HBVU 0606	06	06	16.1	16.1	15.5	15.5	9.5	34.5	25.9	51.7	19.0	19.2	16.0	25
HBVU 0808	08	08	17.5	17.5	17.6	17.6			26.8	53.5			17.4	25
HBVU 1010	10	10	20.1	20.1	20.0	20.0	12.5	42.3	31.5	63.0	26.3	24.2	29.0	15
HBVU 1212	12	12	23.7	23.7	23.0	23.0			35.2	70.4			35.4	15