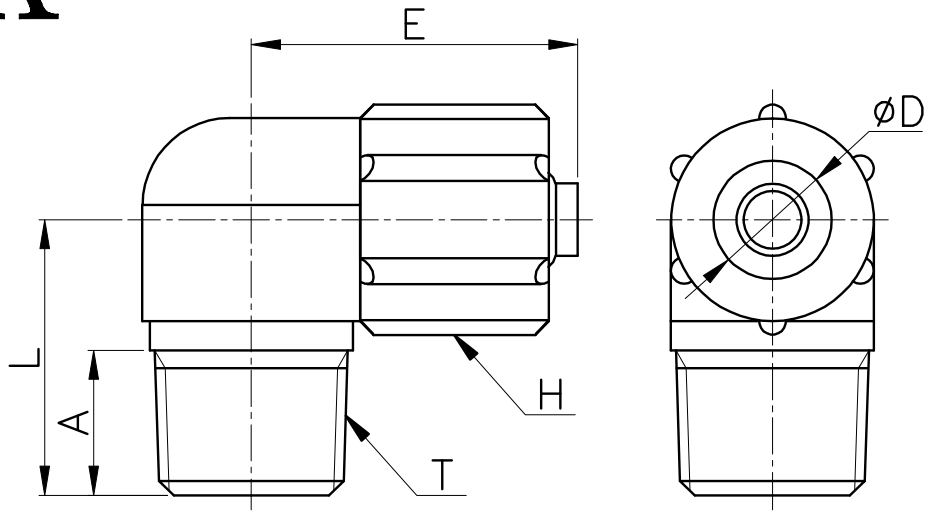


GCK



MODEL	ØD	T	L	E	A	H (Hex)	WEIGHT (g)	BOX(EA)
GCK 04-01	4	R 1/8	16.5	16.0	8.0	12	3.0	100
GCK 06-01	6	R 1/8	18.0	21.5	8.5	12	5.0	100
GCK 06-02		R 1/4	18.7	23.5	9.0		7.0	100
GCK 08-01	8	R 1/8	17.0	21.0	8.0	14	6.0	100
GCK 08-02		R 1/4	19.0	22.5	10.0		8.0	100
GCK 08-03		R 3/8	20.5	23.8	10.2		10.0	50
GCK 10-02	10	R 1/4	22.0	24.1	12.0	17	10.0	50
GCK 10-03		R 3/8	23.0	27.1	12.0		12.0	50
GCK 12-02	12	R 1/4	23.0	32.2	11.0	19	14.0	50
GCK 12-03		R 3/8	25.0	32.2	12.0		16.0	50
GCK 12-04		R 1/2	28.0	34.0	15.0		19.0	25