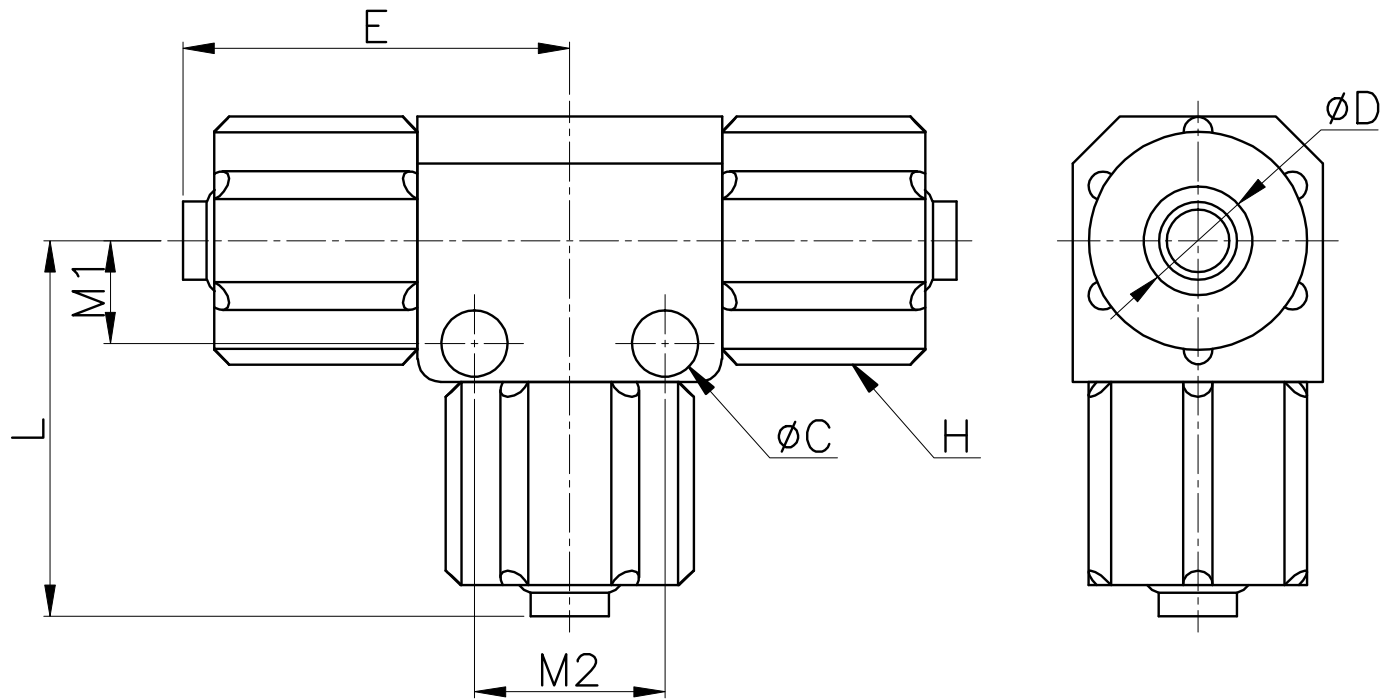


# FCK



MODEL	øD	L	E	øC	M1	M2	H (Hex)	WEIGHT (g)	BOX(EA)
FCK 04	4	19.0	18.0	2.5	5.7	9.5	10	4.0	100
FCK 06	6	24.3	24.2	4.3	5.7	11.2	12	11.0	50
FCK 08	8	24.1	24.8	4.3	6.6	12.2	14	14.0	50
FCK 10	10	30.0	27.0	4.3	8.3	13.4	17	24.0	25
FCK 12	12	36.9	34.0	4.3	9.3	13.7	19	26.0	20