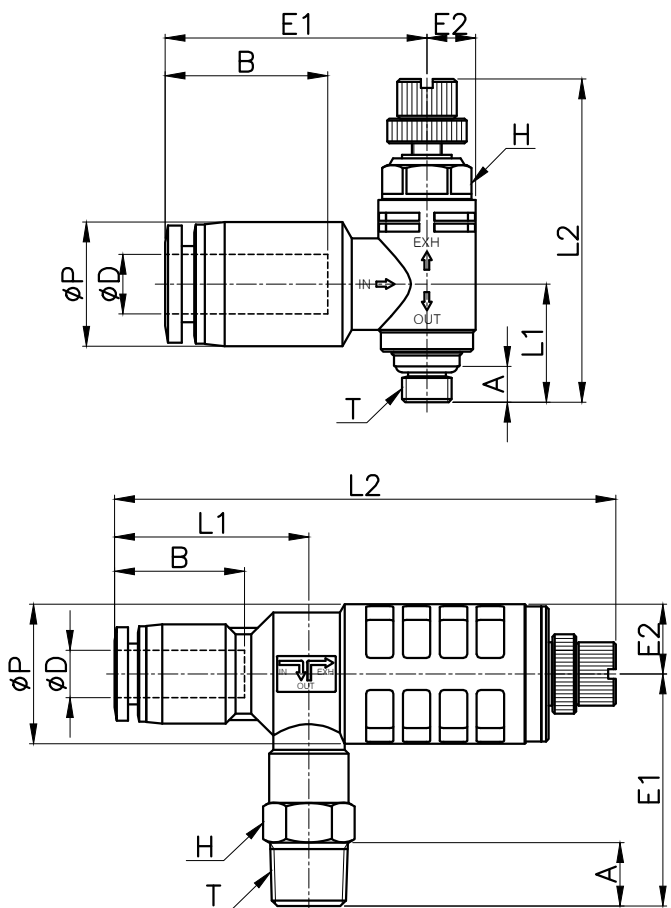


ESC



MODEL	øD	øP	T	L1	L2		E1	E2	A	B	H (Hex)	WEIGHT (g)			
					MIN	MAX									
ESC 04-M3	4	10.3	M3*0.5p	11.9	32.2	34.7	25.8	4.9	3.0	14.8	8	11.4			
ESC 04-M5			M5*0.8p				25.8		3.6		8	11.3			
ESC 06-M5	6	12.5	M5*0.8p	11.9	32.2	34.7	26.4	4.9	3.6	16.5	8	12.3			
ESC 06-S-01			R 1/8	24.5	63.3	72.0	29.3		8.8		8.0	10	21.5		
ESC 06-S-02			R 1/4	31.3	10.0	14	26.3								
ESC 08-S-01	8	14.8	R 1/8	26.5	65.1	71.7	29.3	8.8	8.0	18.3	10	22.5			
ESC 08-S-02			R 1/4				31.3		10.0		14	27.4			
ESC 08-M-01			R 1/8	29.8	73.2	82.3	34.5	12.0	8.0		14	40.0			
ESC 08-M-02			R 1/4				37.5		10.0		14	42.9			
ESC 08-M-03			R 3/8				38.5		11.0		17	48.5			
ESC 10-M-01			10	17.5	R 1/8	31.7	75.0	84.1	34.5		12.0	8.0	20.1	14	41.7
ESC 10-M-02	R 1/4	37.5			10.0				14	44.7					
ESC 10-M-03	R 3/8	38.5			11.0	17	50.2								
ESC 10-L-02	R 1/4	42.4			10.0	19	72.5								
ESC 10-L-03	R 3/8	34.4			80.1	88.6	43.4	15.0	11.0	19	76.5				
ESC 10-L-04	R 1/2	46.4			14.0	21	85.2								
ESC 12-L-02	12	20.5			R 1/4	37.1	83.1	91.6	42.4	15.0	10.0	23.1		19	75.2
ESC 12-L-03					R 3/8				43.4		11.0			19	79.2
ESC 12-L-04			R 1/2	46.4	14.0	21	88.1								