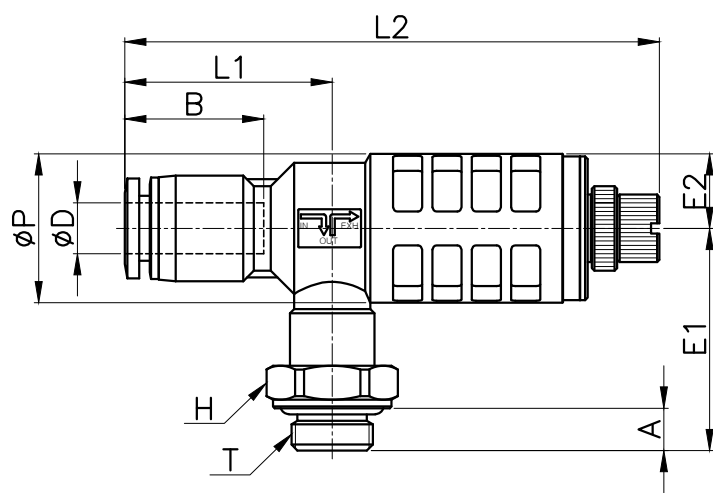


# ESC-G



MODEL	øD	øP	T	L1	L2		E1	E2	A	B	H (Hex)
					MIN	MAX					
ESC 06-S-G01	6	12.5	G 1/8	24.5	63.3	72.0	26.3	8.8	5.0	16.5	14
ESC 06-S-G02			G 1/4				28.3				6.5
ESC 08-S-G01	8	14.8	G 1/8	26.5	65.1	71.7	26.3	8.8	5.0	18.3	14
ESC 08-S-G02			G 1/4				28.3				6.5
ESC 08-M-G01			G 1/8	29.8	73.2	82.3	31.5	12.0	5.0		6.5
ESC 08-M-G02	G 1/4	33.5	6.5				17				
ESC 08-M-G03	G 3/8	33.0	6.5				20				
ESC 10-M-G01	10	17.5	G 1/8	31.7	75.0	84.1	31.5	12.0	5.0	20.1	14
ESC 10-M-G02			G 1/4				33.5				6.5
ESC 10-M-G03			G 3/8	33.0	6.5	20					
ESC 10-L-G02			G 1/4	34.4	80.1	88.6	38.4	15.0	6.5		19
ESC 10-L-G03			G 3/8				37.9				
ESC 10-L-G04	G 1/2	39.4	8.0				24				
ESC 12-L-G02	12	20.5	G 1/4	37.1	83.1	91.6	38.4	15.0	6.5	23.1	19
ESC 12-L-G03			G 3/8				37.9				6.5
ESC 12-L-G04			G 1/2	39.4	8.0	24					