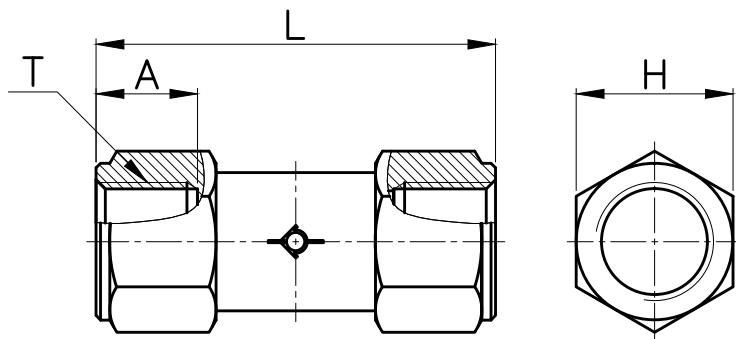


CVFF-G



| MODEL | T | L | A | H (Hex) | WEIGHT (g) | BOX(EA) |
|--------------|-------|------|------|------------|---------------|---------|
| CVFF G01-G01 | G 1/8 | 35.6 | 9.0 | 14 | 29.0 | 100 |
| CVFF G02-G02 | G 1/4 | 43.3 | 11.0 | 17 | 47.2 | 50 |
| CVFF G03-G03 | G 3/8 | 53.2 | 12.0 | 22 | 90.8 | 25 |
| CVFF G04-G04 | G 1/2 | 60.5 | 14.0 | 24 | 108.6 | 25 |