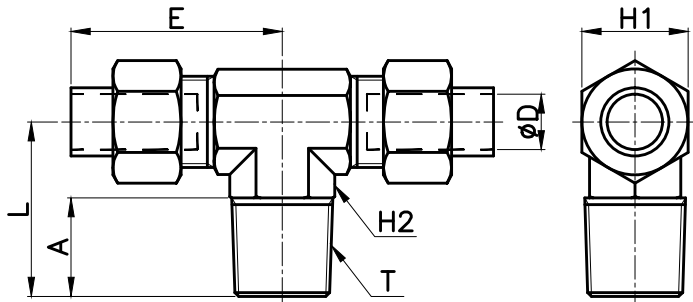


CT



MODEL	øD	T	L	E	A	H1 (Hex)	H2 (Hex)	ORIFICE	WEIGHT (g)	BOX(EA)
CT 4x2-01	4	R 1/8	18.0	24.0	10.0	10	10	1.0	27.0	50
CT 4x2-02		R 1/4	23.0	26.0	13.0				36.0	50
CT 4x2.5-01	4	R 1/8	18.0	24.0	10.0	10	10	1.3	27.0	50
CT 6x4-01	6	R 1/8	18.0	25.2	10.0	12	12	2.5	31.0	50
CT 6x4-02		R 1/4	23.0	26.6	13.0				41.0	50
CT 6x4-03		R 3/8	27.0	28.2	14.0				62.0	25
CT 8x5-01	8	R 1/8	20.0	27.8	10.0	14	12	3.5	43.0	25
CT 8x5-02		R 1/4	23.0	27.8	13.0				42.0	25
CT 8x5-03		R 3/8	26.0	28.3	14.0				64.0	25
CT 8x6-01	8	R 1/8	20.0	27.8	10.0	14	12	4.5	42.0	25
CT 8x6-02		R 1/4	23.0	27.8	13.0				43.0	25
CT 8x6-03		R 3/8	26.0	28.3	14.0				64.0	25
CT 10x6.5-02	10	R 1/4	24.0	31.3	13.0	17	14	5.0	74.0	25
CT 10x6.5-03		R 3/8	26.0	31.3	14.0				81.0	25
CT 10x6.5-04		R 1/2	33.0	33.0	19.0				118.0	20
CT 10x8-02	10	R 1/4	24.0	31.3	13.0	17	14	6.5	74.0	25
CT 10x8-03		R 3/8	26.0	31.3	14.0				78.0	25
CT 10x8-04		R 1/2	35.0	31.3	19.0				121.0	20
CT 12x8-02	12	R 1/4	23.0	32.3	13.0	19	14	6.5	78.0	12
CT 12x8-03		R 3/8	27.0	32.3	14.0				86.0	12
CT 12x8-04		R 1/2	35.0	35.3	19.0				129.0	12
CT 12x9-02	12	R 1/4	23.0	32.3	13.0	19	14	7.5	77.0	12
CT 12x9-03		R 3/8	27.0	32.3	14.0				83.0	12
CT 12x9-04		R 1/2	35.0	35.3	19.0				132.0	12