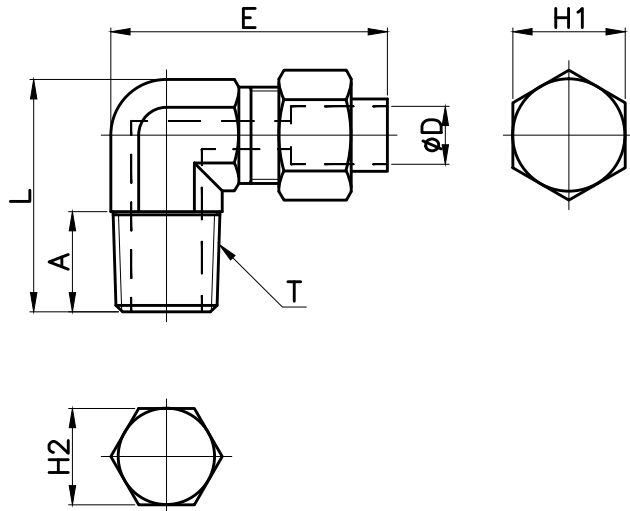


# CL



MODEL	ØD	T	L	E	A	H1 (Hex)	H2 (Hex)	ORIFICE	WEIGHT (g)	BOX(EA)
CL 4x2-01	4	R 1/8	23.8	30.2	10.0	10	10	1.0	19.0	100
CL 4x2-02		R 1/4	28.9	34.3	12.5		12		26.0	100
CL 4x2.5-01	4	R 1/8	23.8	30.2	10.0	10	10	1.5	21.0	100
CL 6x4-01	6	R 1/8	24.8	31.5	10.0	12	10	2.5	21.0	100
CL 6x4-02		R 1/4	28.9	34.0	12.5		12		28.0	50
CL 6x4-03		R 3/8	33.1	36.2	14.0		14		45.0	50
CL 8x5-01	8	R 1/8	26.4	34.8	10.0	14	12	3.5	30.0	50
CL 8x5-02		R 1/4	28.9	34.8	12.5		12		32.0	50
CL 8x5-03		R 3/8	33.1	36.4	14.0		14		45.0	50
CL 8x6-01	8	R 1/8	26.4	34.8	10.0	14	12	4.5	29.0	50
CL 8x6-02		R 1/4	28.9	34.8	12.5		12		31.0	50
CL 8x6-03		R 3/8	33.1	36.4	14.0		14		45.0	50
CL 10x6.5-02	10	R 1/4	33.1	38.9	13.0	17	14	5.0	49.0	25
CL 10x6.5-03		R 3/8	34.1	38.9	14.0		14		50.0	25
CL 10x6.5-04		R 1/2	41.1	40.4	19.0		14		77.0	25
CL 10x8-02	10	R 1/4	33.1	38.9	13.0	17	14	6.5	48.0	25
CL 10x8-03		R 3/8	34.1	38.9	14.0		14		49.0	25
CL 10x8-04		R 1/2	41.1	40.4	19.0		14		75.0	25
CL 12x8-02	12	R 1/4	33.1	40.4	13.0	19	14	6.5	51.0	25
CL 12x8-03		R 3/8	33.1	40.4	14.0		14		52.0	25
CL 12x8-04		R 1/2	41.1	41.4	19.0		14		78.0	25
CL 12x9-02	12	R 1/4	33.1	40.4	13.0	19	14	7.5	50.0	25
CL 12x9-03		R 3/8	33.1	40.4	14.0		14		52.0	25
CL 12x9-04		R 1/2	41.1	41.4	19.0		14		76.0	25
CL 16x12-03	16	R 3/8	40.4	52.9	15.0	27	18	10.0	110.0	12
CL 16x12-04		R 1/2	43.4	52.9	19.0		18		120.0	12
CL 16x13-03	16	R 3/8	40.4	52.9	15.0	27	18	10.0	109.0	12
CL 16x13-04		R 1/2	43.4	52.9	19.0		18		119.0	12