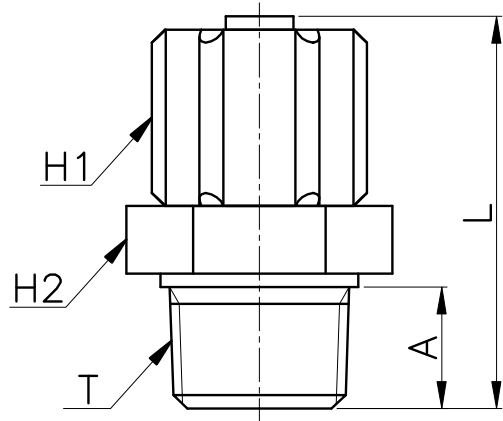
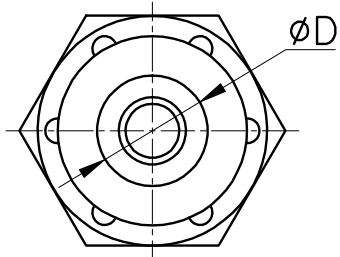


# CK



MODEL	$\phi D$	T	L	A	H1 (Hex)	H2 (Hex)	WEIGHT (g)	BOX(EA)
CK 04-01	4	R 1/8	24.5	8.0	10	12	2.0	100
CK 06-01	6	R 1/8	28.5	7.0	12	13	3.0	100
CK 06-02		R 1/4	30.5	9.0		15	4.0	100
CK 08-01	8	R 1/8	30.0	9.0	14	14	5.0	100
CK 08-02		R 1/4	29.0	9.0		17	5.0	100
CK 08-03		R 3/8	31.7	10.2		19	6.0	100
CK 10-02	10	R 1/4	33.4	9.2	17	17	7.0	100
CK 10-03		R 3/8	34.9	10.2		19	7.0	50
CK 12-02	12	R 1/4	39.0	9.2	19	17	9.0	50
CK 12-03		R 3/8	41.2	10.2		19	9.0	50
CK 12-04		R 1/2	45.0	15.0		22	13.0	25